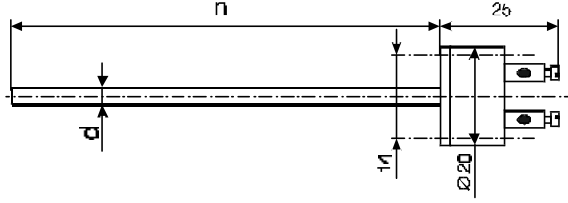
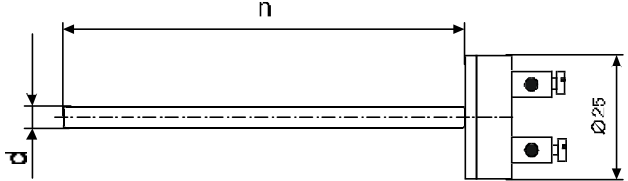
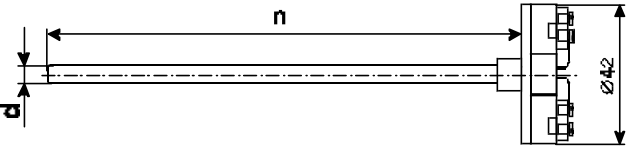


EXPOSED TERMINALS PROBE Sheath - stainless steel 1.4541. Terminal base - polyamide. Terminals - brass	S (TSS)	SENSITIVE ELEMENT	TEMPERATURE RANGE	DIMENSIONS	
				d [mm]	n [mm]
	1 x Pt (RB,RD,RF,RG)	T9	-50...200 °C	4*, 5, 6	30...1000
	2 x Pt (RB,RD,RF,RG)	T9	-50...200 °C	6	30...1000
	1 x Cu (RH, RK)	T9	-50...200 °C	5, 6	50...1000
	2 x Cu (RH)	T9	-50...200 °C	6	50...1000
* for n < 100					

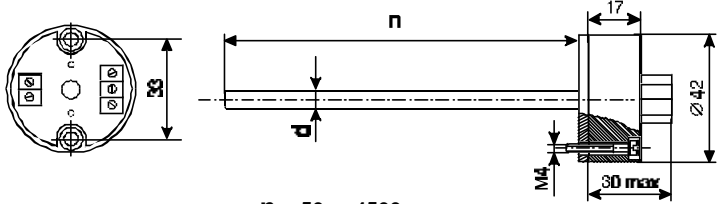
TS

REPLACEABLE INSERT Sheath - stainless steel 1.4541 or 1.4571 Terminal base Al ₂ O ₃ . Terminals - brass	SM (TSSM)	SENSITIVE ELEMENT	TEMPERATURE RANGE	DIMENSIONS		
				n [mm]	d [mm]	wires
 <p>Also Inconel-600 or Incolloy-800 (for MI thermocouples)*</p>	1 x Pt (RB,RD,RF,RG)	T1	-50...400 °C	30...1500	4**, 5	2, 3*
	2 x Pt (RB,RD,RF,RG)	T11*	-50...600 °C			
	1 x Cu (RH, RK)	T2*	-200...600 °C	30...1500	6	2x2
	2 x Cu (RH)	T9	-50...200 °C			
	1 x J	T4	0...800 °C	50...1500	6	2, 3*, 4*
	2 x J	T9	-50...200 °C			
	1 x K	T4	0...800 °C	30...1500	6	2x2
	2 x K	T3*	0...850 °C			

* Please, contact COMECO! ** for n < 100

REPLACEABLE INSERT Sheath - stainless steel 1.4541 or 1.4571 Terminal base Al ₂ O ₃ . Terminals - brass	SB (TSSB)	SENSITIVE ELEMENT	TEMPERATURE RANGE	DIMENSIONS		
				n [mm]	d [mm]	wires
 <p>Also Inconel-600 or Incolloy-800 (for MI thermocouples)*</p>	1 x Pt (RB,RD,RF,RG)	T1	-50...400 °C	30...4500	5	2, 3*
	2 x Pt (RB,RD,RF,RG)	T11*	-50...600 °C			
	1 x Cu (RH, RK)	T2*	-200...600 °C	30...4500	6	2x2
	2 x Cu (RH)	T9	-50...200 °C			
	1 x J, 1 x L*	T4	0...800 °C	50...4500	5	2, 3*
	2 x J, 2 x L*	T9	-50...200 °C			
	1 x K, 1 x E*	T4	0...800 °C	30...4500	6	2x2
	2 x K, 2 x E*	T3*	0...850 °C			
	3 x J*, 3 x K*	T3*	0...850 °C	30...4500	8, 10	3x2

* Please, contact COMECO! ** for n < 100

REPLACEABLE INSERT WITH INCORPORATED TRANSMITTER*	OSB (TSOSB)	SENSITIVE ELEMENT	TEMPERATURE RANGE	DIMENSIONS
				d [mm]
 <p>n = 50 ... 4500 mm</p>	Pt (RB,RD,RF,RG)	Min: -200 °C Max: 600 °C	5, 6, 8, 9, 10	
	Cu (RH, RK)	Min: -50 °C Max: 200 °C	5, 6, 8, 9, 10	
	J, L*	Min: 0 °C Max: 800 °C	3, 5, 6, 8, 9, 10	
	K, E*	Min: 0 °C Max: 850 °C	3, 5, 6, 8, 9, 10	
* Specify transmitter type from 'TR' chapter				

COMECO reserves the right of changing specifications without prior notice!