

SP RANGE

Cable trays and cable ladder support system



Contents

• Advantages of the cable trays and cable ladder support system.....	Page 189
• Selection guide	Page 190
• BRN, BFR and ML Ranges cable trays wall and ceiling supports.....	Page 194
• BRN, BFR Ranges cable trays wall and ceiling OMEGA brackets.....	Page 195
• BRN and BFR Ranges cable trays supports	Page 196
• BRN, BFR Ranges cable trays 40-type supports and accessories	Page 197
• BRN, BFR and ML Ranges cable trays MAVISTRUT supports and accessories.....	Page 200
• BRN, BFR and ML Ranges cable trays TRISIGMA supports and accessories	Page 202
• Bolts and fixings	Page 203

THE ADVANTAGES OF SP RANGE CABLE TRAY AND CABLE LADDER SUPPORT SYSTEM

A complete range of supports that has 2 essential advantages:

- Quick installation
- Durability

Universal supports (boltless)

The universal U-profile makes it possible to accommodate a steel wire raceway of the BFR range in all assembly situations.

MAVISTRUT (boltless)

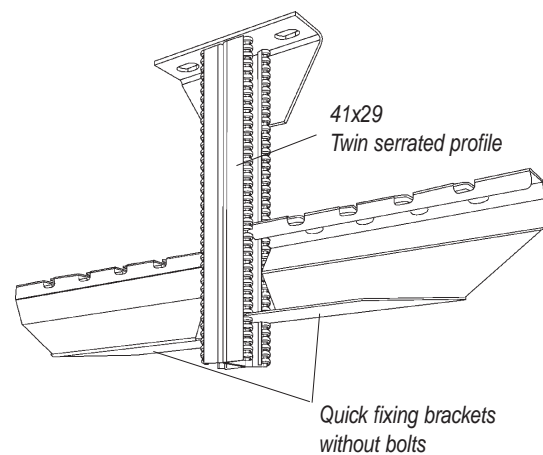
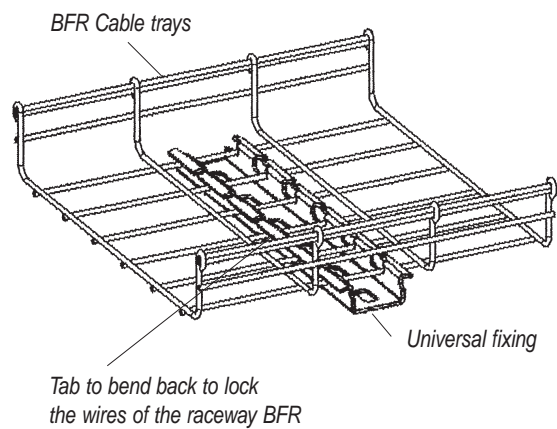
The single or double toothed profiles 41x29 - 41x41 - 41x62 are used on walls with single or double mounts. These profiles are conceived to accommodate bolt-free quick fixing brackets.

Trisigma ceiling mount

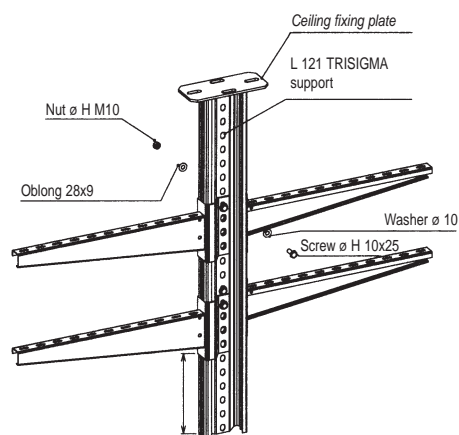
This mount has been designed for heavy loads, closing the brackets on the profile with bolts.

The Trisigma mount is used as:

- Wall mount
- Ceiling mount
 - single
 - double
 - braced
- Candle (fixing to floor or ceiling)











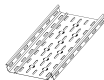
MAVISTRUT support

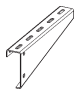




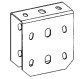

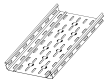



TRISIGMA support

SP RANGE

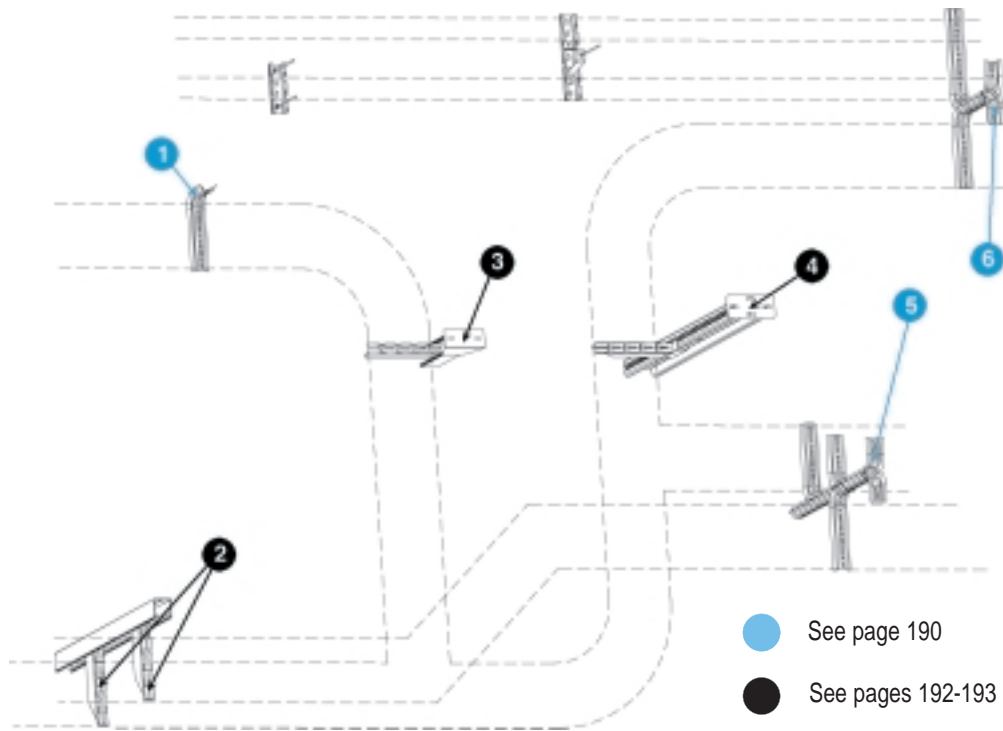
Selection guide

Cable trays and cable ladder support system - light loads															
															
		Z 275		GAC				Z 275	GAC	Z 275	GAC	Z 275	BICHRO	BICHRO	Z 275
	width (mm)	height (115 mm)	height (215 mm)	height (265 mm)	height (115 mm)	height (215 mm)	height (265 mm)								
BFR RANGE WIRE MESH CABLE TRAYS 	50*														
	100	MV 62 110	MV 62 113	MV 62 116	MV 62 210	MV 62 213	MV 62 216	MV 60 100	MV 60 200						
	150	MV 62 111	MV 62 114	MV 62 117	MV 62 211	MV 62 214	MV 62 217	MV 60 101	MV 60 201						
	200	MV 62 111	MV 62 114	MV 62 117	MV 62 211	MV 62 214	MV 62 217	MV 60 101	MV 60 201						
	300	MV 62 112	MV 62 115	MV 62 118	MV 62 212	MV 62 215	MV 62 218	MV 60 102	MV 60 202						MV 51 100
	400														
BRN RANGE PERFORATED CABLE TRAYS 	500														
	65									MV 62 100	MV 62 200				
	95	MV 62 110	MV 62 113	MV 62 116	MV 62 210	MV 62 213	MV 62 216	MV 60 100	MV 60 200						
	125	MV 62 111	MV 62 114	MV 62 117	MV 62 211	MV 62 214	MV 62 217	MV 60 101	MV 60 201	MV 62 101	MV 62 201				
	155	MV 62 111	MV 62 114	MV 62 117	MV 62 211	MV 62 214	MV 62 217	MV 60 101	MV 60 201			MV 64 100			
	185	MV 62 111	MV 62 114	MV 62 117	MV 62 211	MV 62 214	MV 62 217	MV 60 101	MV 60 201	MV 62 102	MV 62 202				
	215	MV 62 112	MV 62 115	MV 62 118	MV 62 212	MV 62 215	MV 62 218	MV 60 101	MV 60 201						
	245	MV 62 112	MV 62 115	MV 62 118	MV 62 212	MV 62 215	MV 62 218	MV 60 102	MV 60 202						
	305							MV 60 102	MV 60 202						
	365														
	395														
515															
605															

Cable trays and cable ladder support system - medium loads													
													
	width (mm)	Z 275	GAC	Z 275 (length)	GAC (length)	EZ	Z 275	GAC	Z 275	GAC	Z 275	GAC	
BFR RANGE WIRE MESH CABLE TRAYS 	50	MV 60 130											
	100	MV 60 130	MV 60 230										
	150	MV 60 131	MV 60 231										
	200	MV 60 132	MV 60 232										
	300	MV 60 133	MV 60 233										
	400	MV 60 134	MV 60 234										
BRN RANGE PERFORATED CABLE TRAYS 	500	MV 60 135	MV 60 235	MV 62 120 (250 mm)	MV 62 220 (250 mm)								
	65	MV 60 130	MV 60 230										
	95	MV 60 130	MV 60 230										
	125	MV 60 131	MV 60 231	MV 62 121 (500 mm)	MV 62 221 (500 mm)								
	155	MV 60 131	MV 60 231										
	185	MV 60 132	MV 60 232										
	215	MV 60 132	MV 60 232	MV 62 122 (1000 mm)	MV 62 222 (1000 mm)	MV 64 114	MV 64 113	MV 64 213	MV 64 111	MV 64 211	MV 64 110	MV 64 21	
	245	MV 60 133	MV 60 233										
	305	MV 60 133	MV 60 233										
	365	MV 60 134	MV 60 234	MV 62 123 (1500 mm)	MV 62 223 (1500 mm)								
	395	MV 60 134	MV 60 234										
515	MV 60 135	MV 60 235											
ML RANGE CABLE LADDERS 	605			MV 62 124 (2000 mm)	MV 62 224 (2000 mm)								
	100	MV 60 132	MV 60 232										
	200	MV 60 133	MV 60 233										
	300	MV 60 134	MV 60 234										
	400	MV 60 135	MV 60 235										
	500												
	600												
	700												
800													
900													
1000													

GALVANIZED STEEL CABLE TRAY SUPPORT SYSTEM

Cable trays and cable ladder support system - light loads





Cable trays and cable ladder support system - medium loads




		SPACING PLATE FOR 40-TYPE PROFILE		BOLTS		75-TYPE PROFILE	BRACKET FIXING PLUG	75-TYPE CANTILEVER BRACKET	75-TYPE DOUBLE DUTY BRACKET						
	width (mm)	Z 275	GAC	BICHRO	DACROMET	Z 275 (length)	EZ	Z 275	Z 275 (ECO)	Z 275					
BFR RANGE WIRE MESH CABLE TRAYS 	50	MV 64 112	MV 64 212	MV 66 100 M 6x10	MV 66 200 M 6x10	MV 62 130 (250 mm)	MV 64 424		MV 60 140	MV 60 141					
	100					MV 60 140		MV 60 141							
	150					MV 60 140		MV 60 141							
	200					MV 60 142		MV 60 143							
	300					MV 60 144									
	400					MV 60 146									
500	MV 60 147														
65															
95															
BRN RANGE PERFORATED CABLE TRAYS 	125										MV 62 134 (2000 mm) (thick. 1.5 mm)			MV 60 140	MV 60 141
	155													MV 60 140	MV 60 141
	185													MV 60 142	MV 60 143
	215													MV 60 142	MV 60 143
	245														MV 60 143
	305											MV 62 135 (2000 mm) (thick. 2 mm)			
	365													MV 60 144	
	395													MV 60 146	
	515													MV 60 146	
	605						MV 62 136 (2000 mm) (thick. 2.5 mm)			MV 60 147					
ML RANGE CABLE LADDERS 	100								MV 60 147						
	200								MV 60 149						
	300								MV 60 140	MV 60 141					
	400								MV 60 142	MV 60 143					
	500														
	600														
	700														
	800						MV 62 137 (3000 mm) (thick. 2 mm)								
	900														
	1000						MV 62 138 (3000 mm) (thick. 2.5 mm)								

GALVANIZED STEEL CABLE TRAY SUPPORT SYSTEM

SP RANGE

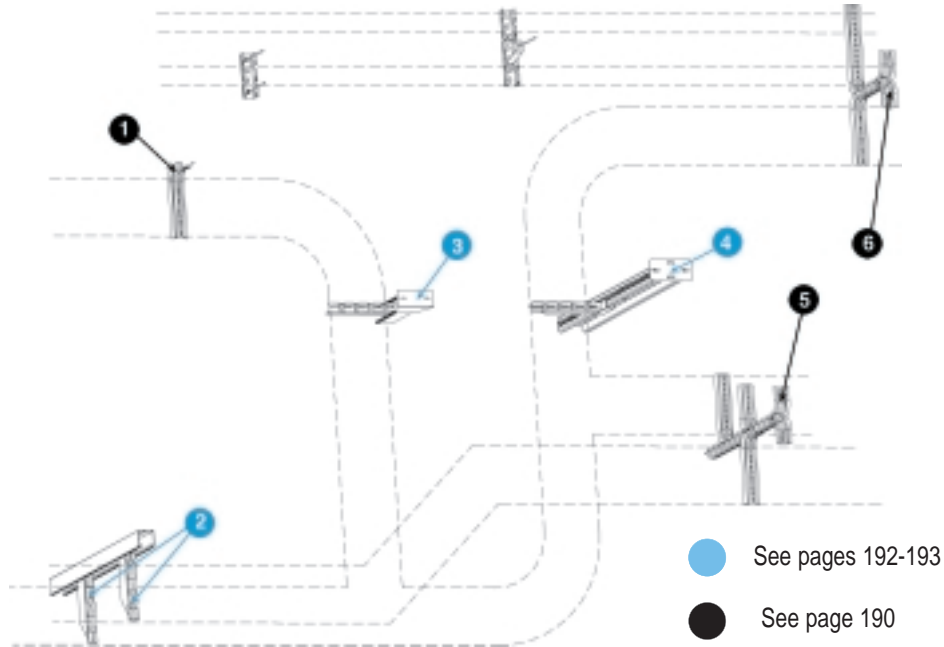
Selection guide

Cable trays and cable ladder support system - light loads												
	PERFORATED STRIP		Z PROFILE		OMEGA PROFILE		PERFORATED ANGLE	SUSPENSION BRACKETS FOR		LIGHT DUTY BRACKET FOR BRN AND BFR RANGE		
	width (mm)	Z 275	GAC	Z 275 (A x B x C)	GAC (A x B x C)	Z 275 (A x B x C)	GAC (A x B x C)	Z 275 (A x B x Thick.)	Z 275	Z 275	Z 275	
BFR RANGE WIRE MESH CABLE TRAYS 	50										MV 60 120	
	100										MV 60 121	
	150										MV 60 122	
	200											
	300											
BRN RANGE PERFORATED CABLE TRAYS 	400											
	500											
	65	MV 65 120 (Thick. 2 mm)	MV 65 220 (Thick. 2 mm)	MV 65 130 (30x30x30 mm)	MV 65 230 (30x30x30 mm)	MV 65 134 (30x30x30 mm)	MV 65 234 (30x30x30 mm)	MV 65 160 (30x30x1.5 mm)				MV 60 120
	95			MV 65 131 (30x60x30 mm)	MV 65 231 (30x60x30 mm)			MV 65 161 (30x60x1.5 mm)	MV 64 160			MV 60 121
	125			MV 65 133 (60x60x60 mm)	MV 65 233 (60x60x60 mm)			MV 65 162 (30x30x2 mm)	MV 64 160			MV 60 122
	155	MV 65 122 (Thick. 3 mm)	MV 65 222 (Thick. 3 mm)			MV 65 135 (30x30x60 mm)	MV 65 235 (30x30x60 mm)	MV 65 163 (30x60x2 mm)				MV 60 122
	185											
	215											
	245											
	305											
	365											
395												
515												
605												

Cable trays and cable ladder support system - heavy loads												
	MAVISTRUT CLIP-ON BRACKET		MAVISTRUT SERRATED PROFILE		MAVISTRUT PENDANT FIXING SERRATED PROFILE		MAVISTRUT PENDANT FIXING PLATE				WELDED CANTILEVER BRACKET	
	width (mm)	Z 275	GAC	Z 275 (length)	GAC (length)	Z 275	GAC	Z 275	GAC	GAC	GAC	GAC
BFR RANGE WIRE MESH CABLE TRAYS 	50	MV 61 100										
	100	MV 61 100	MV 61 200									
	150	MV 61 100	MV 61 200									
	200	MV 61 101	MV 61 201	MV 65 170 ⁽¹⁾ (150 mm)	MV 65 270 ⁽¹⁾ (150 mm)							MV 61 221
	300	MV 61 102	MV 61 202	MV 65 171 ⁽¹⁾ (1030 mm)	MV 65 271 ⁽¹⁾ (1030 mm)							MV 61 222
BRN RANGE PERFORATED CABLE TRAYS 	400	MV 61 103	MV 61 203									MV 61 223
	500	MV 61 104	MV 61 204									MV 61 224
	65	MV 61 100	MV 61 200	MV 65 172 ⁽¹⁾ (1990 mm)	MV 65 272 ⁽¹⁾ (1990 mm)							
	95	MV 61 100	MV 61 200	MV 65 173 ⁽¹⁾ (3030 mm)	MV 65 273 ⁽¹⁾ (3030 mm)	MV 63 103 ⁽¹⁾ (630 mm)	MV 63 203 ⁽¹⁾ (630 mm)					
	125	MV 61 100	MV 61 200	MV 65 174 ⁽²⁾ (1030 mm)	MV 65 274 ⁽²⁾ (1030 mm)	MV 63 107 ⁽¹⁾ (630 mm)	MV 63 207 ⁽¹⁾ (630 mm)	MV 64 130 ⁽¹⁾	MV 64 230 ⁽¹⁾	MV 64 240 ⁽²⁾	MV 64 241 ⁽²⁾	MV 61 221
	155	MV 61 101	MV 61 201	MV 65 175 ⁽²⁾ (1990 mm)	MV 65 275 ⁽²⁾ (1990 mm)	MV 63 111 ⁽²⁾ (1030 mm)	MV 63 211 ⁽²⁾ (1030 mm)					MV 61 221
	185	MV 61 101	MV 61 201	MV 65 176 ⁽²⁾ (3030 mm)	MV 65 276 ⁽²⁾ (3030 mm)	MV 63 115 ⁽²⁾ (1030 mm)	MV 63 215 ⁽²⁾ (1030 mm)					MV 61 221
	215	MV 61 101	MV 61 201									MV 61 221
	245	MV 61 101	MV 61 201									MV 61 221
	305	MV 61 102	MV 61 202									MV 61 222
	365	MV 61 103	MV 61 203									MV 61 223
395	MV 61 103	MV 61 203									MV 61 223	
515	MV 61 104	MV 61 204									MV 61 224	
605	MV 61 106	MV 61 206									MV 61 224	
ML RANGE CABLE LADDERS 	100	MV 61 100	MV 61 200	MV 65 177 ⁽³⁾ (1030 mm)	MV 65 277 ⁽³⁾ (1030 mm)							MV 61 226
	200	MV 61 101	MV 61 201									MV 61 221
	300	MV 61 102	MV 61 202	MV 65 178 ⁽³⁾ (1990 mm)	MV 65 278 ⁽³⁾ (1990 mm)							MV 61 222
	400	MV 61 103	MV 61 203									MV 61 223
	500	MV 61 104	MV 61 204	MV 65 179 ⁽³⁾ (3030 mm)	MV 65 279 ⁽³⁾ (3030 mm)							MV 61 224
	600	MV 61 106	MV 61 206									MV 61 224
	700											MV 61 226
	800											
900												
1000												

⁽¹⁾ section 41 x 29 mm; ⁽²⁾ section 41 x 41 mm; ⁽³⁾ section 41 x 62 mm.

Cable trays and cable ladder support system



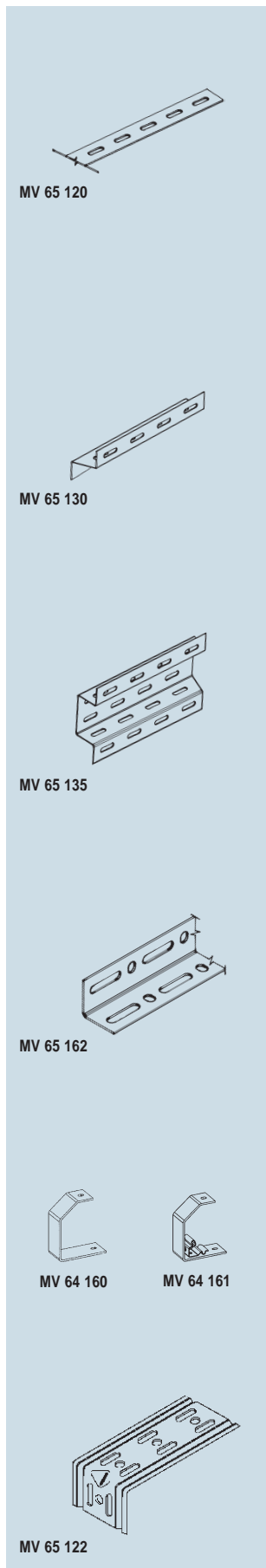
Cable trays and cable ladder support system - heavy loads

		TRISIGMA BRACKET		TRISIGMA-TYPE PENDANT FIXING PROFILE WITH WELDED PLATE		ADJUSTABLE PENDANT FIXING PLATE		BOLTS		
		Z 275	GAC	Z 275	GAC	Z 275 (length)	GAC	BICHRO	DACROMET	EZ
width (mm)										
BFR RANGE WIRE MESH CABLE TRAYS 	50									
	100									
	150									
	200	MV 61 111	MV 61 211							
	300	MV 61 112	MV 61 212							
	400	MV 61 113	MV 61 213							
BFR RANGE PERFORATED CABLE TRAYS 	500	MV 61 114	MV 61 214							
	65			MV 63 130	MV 63 230					MV 66 114 M 10x30
	95			MV 63 131	MV 63 231					MV 66 113 M 10x20
	125									
	155									
	185	MV 61 111	MV 61 211	MV 63 132	MV 63 232				MV 66 200 M 6x10	MV 66 122 M 10x30
	215	MV 61 111	MV 61 211							
	245	MV 61 111	MV 61 211							
	305	MV 61 112	MV 61 212	MV 63 133	MV 63 233	MV 64 150	MV 64 250	MV 66 100 M 6x10	MV 66 201 M 6x14	mushroom head MV 66 123 M 10x60
	365	MV 61 113	MV 61 213					MV 66 101 M 6x14		
	395	MV 61 113	MV 61 213	MV 63 134	MV 63 234				MV 66 216 M 10x25	mushroom head MV 66 115 M 12x30
515	MV 61 114	MV 61 214								
605	MV 61 116	MV 61 216								
ML RANGE CABLE LADDERS 	100			MV 61 135	MV 61 235					
	200	MV 61 111	MV 61 211							
	300	MV 61 112	MV 61 212							
	400	MV 61 113	MV 61 213							
	500	MV 61 114	MV 61 214	MV 63 136	MV 63 236					MV 66 116 M 10x25
	600	MV 61 115	MV 61 215							
	700									
	800									
	900									
	1000									

GALVANIZED STEEL CABLE TRAY SUPPORT SYSTEM

SP RANGE

BRN, BFR and ML wall and ceiling cable trays support



SP Range

Perforated strip - length 3 m

Code	Description	Width mm	Thickness mm	Carton metres
MV 65 120	Perforated strip	30	2.0	[Z 275]
MV 65 122	Perforated strip	30	3.0	
MV 65 220	Perforated strip	30	2.0	[GAC]
MV 65 222	Perforated strip	30	3.0	

SP Range

Z profile - length 3 m

Code	Description	Dimensions mm A x B x C	Thickness mm	Carton metres
MV 65 130	Z Profile	30 x 30 x 30	1.5	[Z 275]
MV 65 131	Z Profile	30 x 60 x 30	1.5	
MV 65 133	Z Profile	60 x 60 x 60	1.5	
MV 65 230	Z Profile	30 x 30 x 30	1.5	[GAC]
MV 65 231	Z Profile	30 x 60 x 30	1.5	
MV 65 233	Z Profile	60 x 60 x 60	1.5	

SP Range

Omega profile - length 3 m

Code	Description	Dimensions mm A x B x C	Thickness mm	Carton metres
MV 65 134	OMEGA profile	30 x 30 x 30	1.5	[Z 275]
MV 65 135	OMEGA profile	30 x 30 x 60	1.5	
MV 65 234	OMEGA profile	30 x 30 x 30	1.5	[GAC]
MV 65 235	OMEGA profile	30 x 30 x 60	1.5	

SP Range

Slotted angle - length 3 m

Code	Description	Dimensions mm A x B	Thickness mm	Carton Qty.
MV 65 160	Slotted angle	30 x 30	1.5	[Z 275]
MV 65 161	Slotted angle	40 x 40	1.5	
MV 65 162	Slotted angle	40 x 40	2.0	
MV 65 163	Slotted angle	68 x 40	2.0	

SP Range

BRN length 65/95 and BFR length 50/100 suspension bracket

Code	Description	Carton Qty.
MV 64 160	BRN height 130 suspension bracket	[Z 275]
MV 64 161	BFR 30/60 suspension bracket	

SP Range

Light duty bracket

Code	Description	Dimensions mm H x L x l	Carton Qty.
MV 60 120	Bracket	50 x 50 x 70	[Z 275]
MV 60 121	Bracket	50 x 100 x 70	
MV 60 122	Bracket	50 x 150 x 70	

(L = Length) (l = Width)

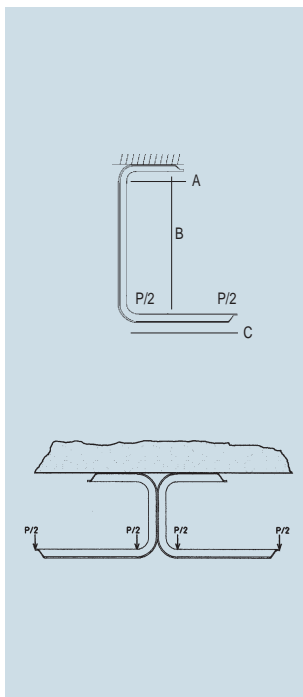
Selection guide: page 192

Technical sheets: page 327

BRN and BFR cable trays wall and ceiling OMEGA-type support

Table of loads "C"

Dimensions (mm) AxBxC	Maximum load (P) daN/bracket
105 x 115 x 95	22
105 x 115 x 195	22
105 x 115 x 295	14
105 x 215 x 95	20
105 x 215 x 195	20
105 x 215 x 295	13
105 x 265 x 95	20
105 x 265 x 195	20
105 x 265 x 295	13



SP Range

OMEGA-type "C" pendant fixing bracket

Code	Description	Dimensions (mm) A x B x C	Carton Qty.
MV 62 110	Bracket	105 x 115 x 95	30
MV 62 111	Bracket	105 x 115 x 195	30
MV 62 112	Bracket	105 x 115 x 295	30
MV 62 113	Bracket	105 x 215 x 95	30
MV 62 114	Bracket	105 x 215 x 195	30
MV 62 115	Bracket	105 x 215 x 295	30
MV 62 116	Bracket	105 x 265 x 95	30
MV 62 117	Bracket	105 x 265 x 195	30
MV 62 118	Bracket	105 x 265 x 295	30
MV 62 210	Bracket	105 x 115 x 95	30
MV 62 211	Bracket	105 x 115 x 195	30
MV 62 212	Bracket	105 x 115 x 295	30
MV 62 213	Bracket	105 x 215 x 95	30
MV 62 214	Bracket	105 x 215 x 195	30
MV 62 215	Bracket	105 x 215 x 295	30
MV 62 216	Bracket	105 x 265 x 95	30
MV 62 217	Bracket	105 x 265 x 195	30
MV 62 218	Bracket	105 x 265 x 295	30

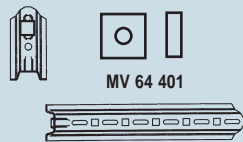
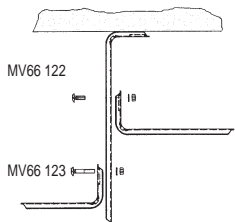
Table of loads

Range	Width mm	Maximum load daN/bracket
OMEGA	110	50
Bracket	210	50
	310	30

SP Range

OMEGA-type cantilever fixing bracket

Code	Description	Length mm	Carton Qty.
MV 60 100	Bracket	110	50
MV 60 101	Bracket	210	50
MV 60 102	Bracket	310	50
MV 60 200	Bracket	110	50
MV 60 201	Bracket	210	50
MV 60 202	Bracket	310	50

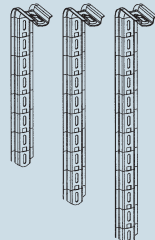
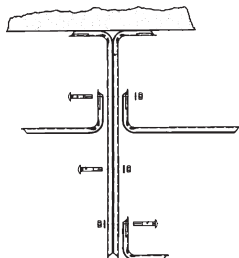


SP Range

OMEGA-type fixing plate (to wall or ceiling)

Code	Description	Carton Qty.
MV 64 401	OMEGA fixing plate	500

fitted with bolts

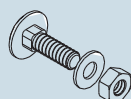


SP Range

OMEGA-type pendant profile

Code	Description	permissible torque on top of pendant	Length mm	Carton Qty.
MV 62 100	Pendant profile	2 daN.b	410	50
MV 62 101	Pendant profile	2 daN.b	510	25
MV 62 102	Pendant profile	2 daN.b	610	25
MV 62 200	Pendant profile	2 daN.b	410	50
MV 62 201	Pendant profile	2 daN.b	510	25
MV 62 202	Pendant profile	2 daN.b	610	25

fitted with bolts MV 66 123



MV 66 122

SP Range

Bolts for OMEGA-type pendant profile

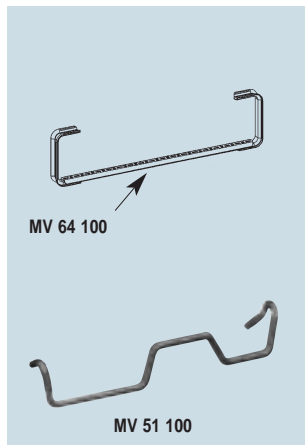
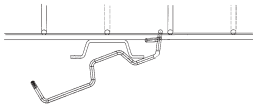
Code	Description	Carton Qty.
MV 66 122	TRCC M 10 X 30 + 1 washer	50
MV 66 123	TRCC M 10 X 60 + 1 washer	50

Selection guide: page 190

Technical sheets: page 328

SP RANGE

BRN and BFR cable trays supports



SP Range

Profile to connect 2 OMEGA-type pendant-brackets

Code	Description	Length mm		Carton Qty.
MV 64 100	OMEGA Profile	889	Z 275	10

BFR Range

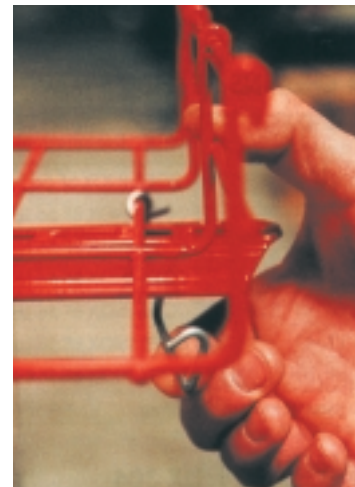
BFR Quick fixing on OMEGA-type bracket

Code	Description		Pack/Carton Qty.
MV 51 100	FILMATIC	Z 275	10/1000



FILMATIC®

BFR Cable tray quick fixing on an OMEGA-type bracket.



With an easy manual installation (without any tool) it is possible to strongly fix BFR cable trays to OMEGA-type brackets and supports in an easy and quick way. Please follow installation suggestion at page 331.



Advantage: using the Filmatic fixing clip, the wire mesh cable tray will be perfectly aligned.

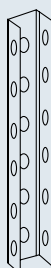
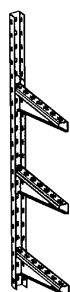
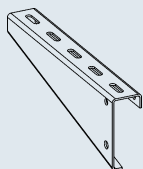
Selection guide: page 190

Technical sheets: page 331

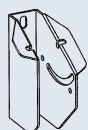
BRN, BFR and ML Ranges cable trays 40-type support

Table of loads

Range	Length mm	Maximum load daN/bracket
40-type	150	85
single	200	85
bracket	250	85
	350	100
	450	90
	550	85



MV 64 114



MV 64 113

SP Range

40-type cantilever bracket

Code	Description	Length mm	Maximum load daN		Carton Qty.
MV 60 130	40-type cantilever bracket	150	85	Z 275	100
MV 60 131	40-type cantilever bracket	200	85		100
MV 60 132	40-type cantilever bracket	250	85		100
MV 60 133	40-type cantilever bracket	350	100		50
MV 60 134	40-type cantilever bracket	450	90		25
MV 60 135	40-type cantilever bracket	550	85		25
MV 60 230	40-type cantilever bracket	150	85	GAC	100
MV 60 231	40-type cantilever bracket	200	85		100
MV 60 232	40-type cantilever bracket	250	85		100
MV 60 233	40-type cantilever bracket	350	100		50
MV 60 234	40-type cantilever bracket	450	90		25
MV 60 235	40-type cantilever bracket	550	85		25

SP Range

40-type pendant

Code	Description	Thickness mm	Length mm		Carton Qty.
MV 62 120	40-type pendant	1.5	250	Z 275	100
MV 62 121	40-type pendant	1.5	500		10
MV 62 122	40-type pendant	1.5	1000		10
MV 62 123	40-type pendant	2.0	1500		10
MV 62 124	40-type pendant	2.0	2000		10
MV 62 220	40-type pendant	1.5	250	GAC	100
MV 62 221	40-type pendant	1.5	500		10
MV 62 222	40-type pendant	1.5	1000		10
MV 62 223	40-type pendant	2.0	1500		10
MV 62 224	40-type pendant	2.0	2000		10

SP Range

40-type fixing rod

Code	Description	Pack/Carton Qty.
MV 64 114	Fixing rod 6 x 70 type 40	EZ 100/1000

100 = 1 packet of 100 cotters

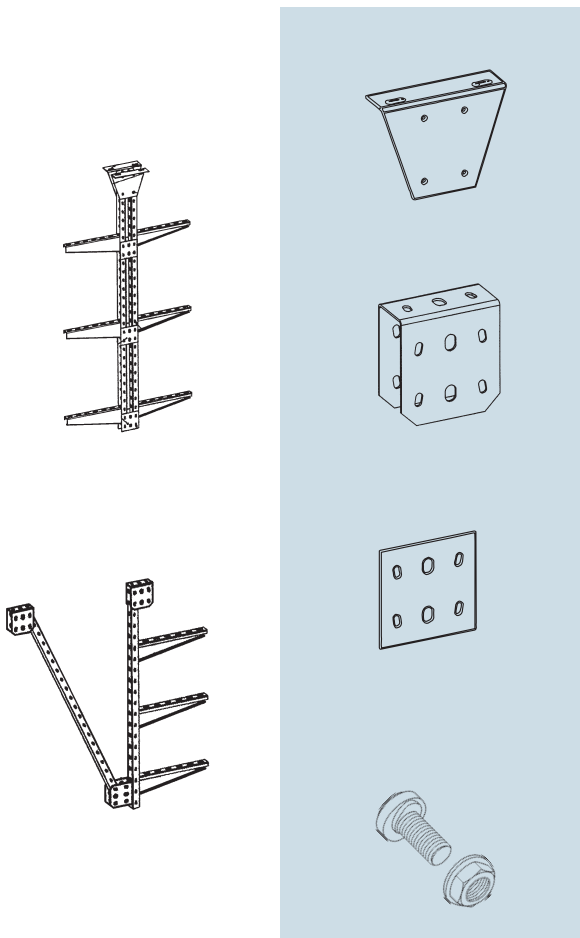
SP Range

Adjustable angle shoe for 40-type bracket

Code	Description		Pack/Carton Qty.
MV 64 113	Adjustable plate H 150	Z 275	25
MV 64 213	Adjustable plate H 150	GAC	25

SP RANGE

BRN, BFR and ML Ranges cable trays 40-type double support accessories



SP Range

Ceiling fixing angle plate for 40-type profile

Code	Description		Carton Qty.
MV 64 111	40-type Ceiling fixing angle plate	Z 275	20
MV 64 211	40-type Ceiling fixing angle plate	GAC	20

SP Range

Ceiling fixing plate for 40-type profile

Code	Description		Carton Qty.
MV 64 110	40-type Ceiling fixing "U" plate	Z 275	20
MV 64 210	40-type Ceiling fixing "U" plate	GAC	20

SP Range

Spacing plate for 40-type profile

Code	Description		Carton Qty.
MV 64 112	Spacing plate for 40-type	Z 275	100
MV 64 212	Spacing plate for 40-type	GAC	100

SP Range

Bolts (mushroom head + flanged nut)

Code	Description		Pack/Carton Qty.
MV 66 100	6x10 Bolt	[EZ]	100/3000
MV 66 101	6x14 Bolt		100/3000
MV 66 200	6x10 Bolt	[Dacromet]	100/3000
MV 66 201	6x14 Bolt		100/3000

100 = 1 bag of 100 bolts

Selection guide: page 190

Technical sheets: page 332

BRN, BFR and ML Ranges cable trays 75-type double support accessories

Table of loads

Range	Length mm	Maximum load daN / bracket
75-type	150 eco	40
double	250 eco	70
duty	150 - 1.2	60
bracket	250 - 2.0	130

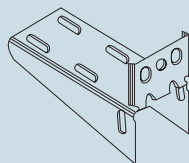
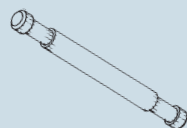
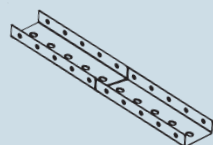
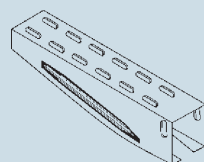


Table of loads

Range	Length mm	Maximum load daN / bracket
75-type	345	140
single	445	120
duty	545	130
bracket	600	118
	645	110



SP Range

75-type double duty bracket

Code	Description	Length mm	Thickness mm	Carton Qty.
MV 60 140	double duty bracket	150 Eco	1.0	100
MV 60 142	double duty bracket	250 Eco	1.5	50
MV 60 141	double duty bracket	150	1.2	100
MV 60 143	double duty bracket	250	2.0	50

SP Range

75-type cantilever bracket

Code	Description	Length mm	Carton Qty.
MV 60 144	75-type cantilever bracket	345	25
MV 60 146	75-type cantilever bracket	445	25
MV 60 147	75-type cantilever bracket	545	25
MV 60 148	75-type cantilever bracket	600	25
MV 60 149	75-type cantilever bracket	645	25

SP Range

75-type profile

Code	Description	Length mm	Thickness mm	Carton Qty.
MV 62 130	75-type profile	1.5	250	100
MV 62 131	75-type profile	1.5	500	10
MV 62 134	75-type profile	1.5	2000	10
MV 62 135	75-type profile	2.0	2000	8
MV 62 137	75-type profile	2.0	3000	8
MV 62 136	75-type profile	2.5	3000	6
MV 62 138	75-type profile	2.5	3000	6

SP Range

75-type bracket fixing rod

Code	Description	Pack/ Carton Qty.
MV 64 424	Cadmium-plated rod - ø 8 mm	EZ 25/500

25 = 1 bag of 25 pieces.

Selection guide: page 191

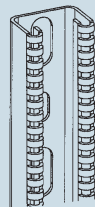
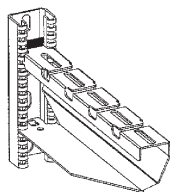
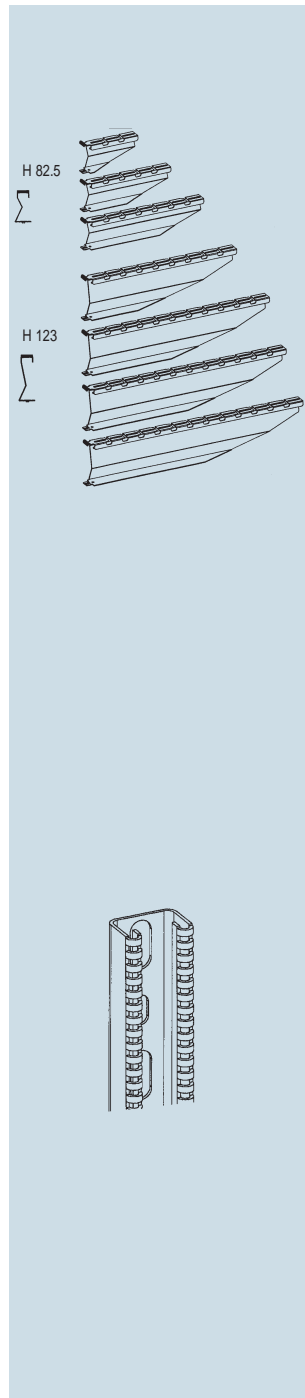
Technical sheets: page 333

SP RANGE

BRN, BFR and ML Ranges cable trays MAVISTRUT support accessories

Table of loads

Range	Length mm	Maximum load daN / bracket
MAVISTRUT clip-on bracket	145	110
	245	100
	345	100
	445	171
	545	150
	595	121
	645	112



SP Range

MAVISTRUT clip-on cantilever bracket

Code	Description	Length mm	Load daN	Carton Qty.
MV 61 100	Clip-on bracket	145	110	50
MV 61 101	Clip-on bracket	245	100	50
MV 61 102	Clip-on bracket	345	100	25
MV 61 103	Clip-on bracket	445	171	25
MV 61 104	Clip-on bracket	545	150	25
MV 61 105	Clip-on bracket	595	121	25
MV 61 106	Clip-on bracket	645	112	25
MV 61 200	Clip-on bracket	145	110	50
MV 61 201	Clip-on bracket	245	100	50
MV 61 202	Clip-on bracket	345	100	25
MV 61 203	Clip-on bracket	445	171	25
MV 61 204	Clip-on bracket	545	150	25
MV 61 205	Clip-on bracket	595	121	25
MV 61 206	Clip-on bracket	645	112	25

SP Range

MAVISTRUT serrated profile

Code	Description	Length mm	Carton Qty.
MV 65 170	Serrated profile 41 x 29	150	100
MV 65 171	Serrated profile 41 x 29	1030	20
MV 65 172	Serrated profile 41 x 29	1990	10
MV 65 173	Serrated profile 41 x 29	3030	8
MV 65 174	Serrated profile 41 x 41	1030	20
MV 65 175	Serrated profile 41 x 41	1990	10
MV 65 176	Serrated profile 41 x 41	3030	8
MV 65 177	Serrated profile 41 x 62	1030	20
MV 65 178	Serrated profile 41 x 62	1990	10
MV 65 179	Serrated profile 41 x 62	3030	8
MV 65 270	Serrated profile 41 x 29	150	100
MV 65 271	Serrated profile 41 x 29	1030	20
MV 65 272	Serrated profile 41 x 29	1990	10
MV 65 273	Serrated profile 41 x 29	3030	8
MV 65 274	Serrated profile 41 x 41	1030	20
MV 65 275	Serrated profile 41 x 41	1990	10
MV 65 276	Serrated profile 41 x 41	3030	8
MV 65 277	Serrated profile 41 x 62	1030	20
MV 65 278	Serrated profile 41 x 62	1990	10
MV 65 279	Serrated profile 41 x 62	3030	8

APPLICATIONS: - profiles 41 x 29 mm for assembling cantilever brackets and pendants with MAVISTRUT clip-on brackets up to 345 mm in width;
 - profiles 41 x 41 mm for assembling cantilever brackets and pendants with MAVISTRUT clip-on brackets from 445 up to 645 mm in width;
 - profiles 41 x 62 mm for assembling pendants with all MAVISTRUT clip-on brackets.



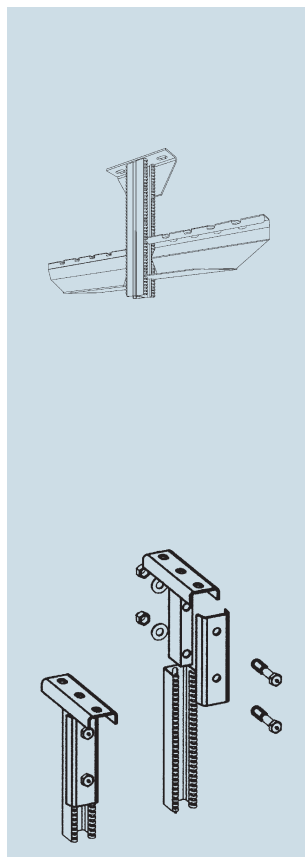
MAVISTRUT SYSTEM FAST INSTALLATION

The bracket is secured by interlocking on the 8 mm pitch serrated profile without the aid of bolts. The bracket is locked simply and instantly and ensures greater security and stability, besides installation economy. The high resistance bracket is durable and secure. Due to its special design it can support BFR wire mesh cable trays in the seats designed for interlocking (locking requires simply bending back the locking tab) and BRN return flange cable trays by using the exclusive TOLMATIC quick fixing clip.

Selection guide: page 192

Technical sheets: page 335

BRN, BFR and ML Ranges cable trays MAVISTRUT support accessories



SP Range

MAVISTRUT pendant fixing serrated channel with welded fixing plate

Code	Description	Length mm	Carton Qty.
MV 63 103	41x29 Single pendant with welded "U" plate	630	24
MV 63 107	41x29 Twin pendant with welded "U" plate	630	14
MV 63 111	41x41 Single pendant with welded gusset	1030	10
MV 63 115	41x41 Twin pendant with welded gusset	1030	6
MV 63 203	41x29 Single pendant with welded "U" plate	630	24
MV 63 207	41x29 Twin pendant with welded "U" plate	630	14
MV 63 211	41x41 Single pendant with welded gusset	1030	10
MV 63 215	41x41 Twin pendant with welded gusset	1030	6

SP Range

MAVISTRUT pendant bolted ceiling plate

Code	Description	Carton Qty.
MV 64 130	41x29** Bolted fixing plate for channel	25
MV 64 240	41x41 Bolted fixing plate for channel*	25
MV 64 241	41x41 Counter plate for ceiling plate on twin channel	25
MV 64 230	41x29** Bolted fixing plate for channel	25

NB: One single flange model 41x41 for MAVISTRUT Z 275 and GAC

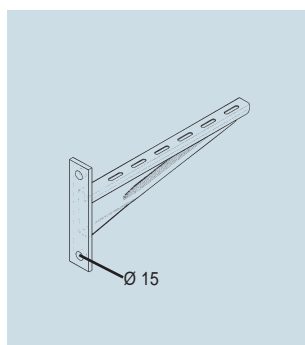
* Flange 41x41: includes plate/counter-plate/10 bolts HM 10x50

** Flange 41x29: includes plate/10 bolts mushroom head 8x25

SP Range welded bracket for wall fixing

Table of loads

Range	Length mm	Maximum load daN/bracket
Welded cantilever bracket	245	130
	345	130
	445	130
	545	130
	600	120
	645	110



SP Range

Welded cantilever bracket (direct wall fixing)

Code	Description	Length mm	Carton Qty.
MV 61 221	Welded cantilever bracket	245	50/200
MV 61 222	Welded cantilever bracket	345	25/200
MV 61 223	Welded cantilever bracket	445	25/200
MV 61 224	Welded cantilever bracket	545	25/200
MV 61 225	Welded cantilever bracket	600	25/200
MV 61 226	Welded cantilever bracket	645	25/200

Fixing: dowel M 10.

Selection guide: page 192

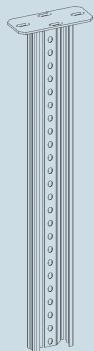
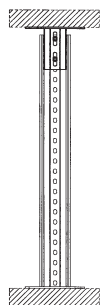
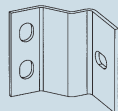
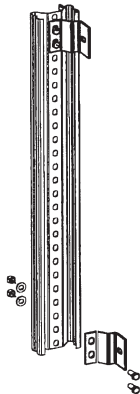
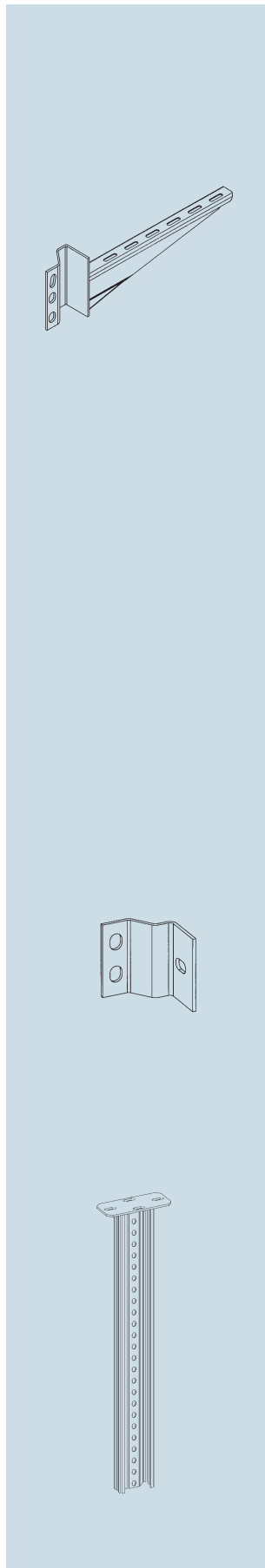
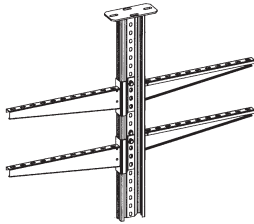
Technical sheets: pages 327-336

SP RANGE

BRN, BFR and ML Ranges cable trays TRISIGMA ceiling support

Table of loads

Range	Length mm	Maximum load daN/bracket
TRISIGMA	245	130
bracket	345	130
	445	171
	545	150
	595	121
	645	112



Selection guide: page 193

Technical sheets: pages 338-339

SP Range

L 121 TRISIGMA-type cantilever bracket for wall fixing

Code	Description	Length mm	Carton Qty.
MV 61 111	L 121 TRISIGMA Bracket	245	50
MV 61 112	L 121 TRISIGMA Bracket	345	25
MV 61 113	L 121 TRISIGMA Bracket	445	25
MV 61 114	L 121 TRISIGMA Bracket	545	25
MV 61 115	L 121 TRISIGMA Bracket	600	25
MV 61 116	L 121 TRISIGMA Bracket	645	25
MV 61 211	L 121 TRISIGMA Bracket	245	50
MV 61 212	L 121 TRISIGMA Bracket	345	25
MV 61 213	L 121 TRISIGMA Bracket	445	25
MV 61 214	L 121 TRISIGMA Bracket	545	25
MV 61 215	L 121 TRISIGMA Bracket	600	25
MV 61 216	L 121 TRISIGMA Bracket	645	25

Note: Fixing the TRISIGMA-type bracket on the Trisigma-type profile: use the M 10x25 bolts + 2 washers code MV 66 116 or MV 66 216

SP Range

L 121 TRISIGMA-type profile for wall fixing bracket

Code	Description	Length mm	Carton Qty.
MV 65 181	L 121 Profile	990	10
MV 65 182	L 121 Profile	1990	10
MV 65 183	L 121 Profile	2990	10
MV 65 281	L 121 Profile	990	10
MV 65 282	L 121 Profile	1990	10
MV 65 283	L 121 Profile	2990	10

Provision: wall fixing plates MV 64 151 / MV 64 251.

SP Range

L 121 Wall fixing plate

Code	Description	Carton Qty.
MV 64 151	L 121 Wall fixing plate	10
MV 64 251	L 121 Wall fixing plate	10

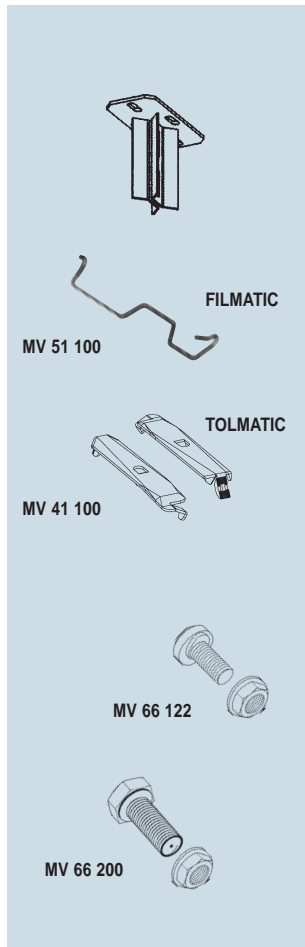
Use 12x30 bolts + 2 washers MV 66 115.

SP Range

L 121 TRISIGMA-type pendant fixing profile with welded plate

Code	Description	Length mm	Carton Qty.
MV 63 130	L 121 Profile	1000	10
MV 63 131	L 121 Profile	1500	10
MV 63 132	L 121 Profile	2000	10
MV 63 133	L 121 Profile	2500	10
MV 63 134	L 121 Profile	3000	10
MV 63 135	L 121 Profile	3500	10
MV 63 136	L 121 Profile	4000	10
MV 63 230	L 121 Profile	1000	10
MV 63 231	L 121 Profile	1500	10
MV 63 232	L 121 Profile	2000	10
MV 63 233	L 121 Profile	2500	10
MV 63 234	L 121 Profile	3000	10
MV 63 235	L 121 Profile	3500	10
MV 63 236	L 121 Profile	4000	10

Bolts and fixing



SP Range

L 121 TRISIGMA-type adjustable pendant fixing plate

Code	Description		Carton Qty.
MV 64 150	L 121 adjustable plate	Z 275	10
MV 64 250	L 121 adjustable plate	GAC	10
MV 66 115	HM 12x30 bolt + 2 washers	EZ	100

Note: use the M 12x30 bolt + 2 washers MV 66 115.

SP Range

Automatic fixing clips (boltless)

Code	Description		Pack/Carton Qty.
MV 51 100	FILMATIC BFR fixing clips on OMEGA bracket	Z 275	10/1000
MV 41 100	TOLMATIC BRN fixing clips on all brackets		10/1000

SP Range

Bolts

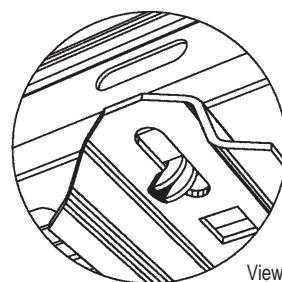
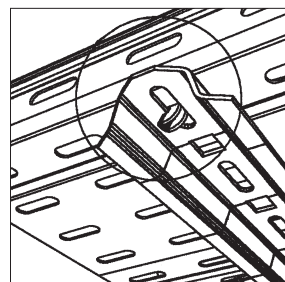
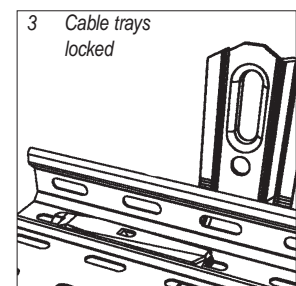
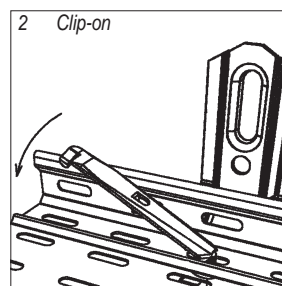
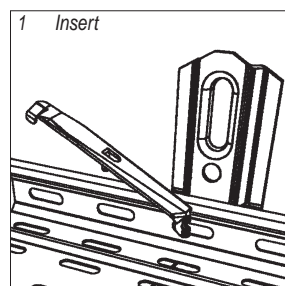
Code	Description		Pack/Carton Qty.
MV 66 114	M 10x30	EZ	100
MV 66 113	M 10x20 + 2 washers		50
MV 66 116	M 10x25 + 2 washers		50
MV 66 122	M 10x30 TRCC + 1 washer		50
MV 66 123	M 10x60 TRCC + 1 washer		50
MV 66 115	M 12x30 + 2 washers		100
MV 66 100	Bolt M 6x10	Dacro	100/3000
MV 66 101	Bolt M 6x14		100/3000
MV 66 200	Bolt M 6x10		100/3000
MV 66 201	Bolt M 6x14		100/3000
MV 66 216	M 10x25 + 2 washers		50

100 = 1 bag of 100 bolts.



TOLMATIC®

Quick fastening of BRN cable trays on all steel brackets in the MAVIL range



View from below

Place the BRN cable tray on the bracket/mounting you have chosen and lock it on with the TOLMATIC

Selection guide: page 193

Technical sheets: pages 340-341