

ML RANGE

Galvanized steel cable ladder systems



Contents

| | |
|---|----------|
| • Advantages of the galvanized steel cable ladder systems | page 167 |
| • Selection guide | page 168 |
| • Cable ladders and fittings type B 70-SD (standard) NP (non-folding) | page 172 |
| • Cable ladders and fittings type B 70-SR (reinforced) NP (non-folding) | page 176 |
| • Cable ladders and fittings type B 96-SD (standard) P (folding) | page 180 |
| • Cable ladders and fittings type B 96-SD (standard) NP (non-folding) | page 180 |
| • Cable ladders and fittings type B 96-SF (heavy duty) NP (non-folding) | page 184 |
| • Cable ladders and fittings: bolts | page 187 |

**THE THREE
ADVANTAGES OF
ML CABLE LADDER
SYSTEMS**

An ingenious, safe system that facilitates custom designing

Ingenious

The "folding" model is offered to decrease transport volume (the rungs fold over the side rail).

Safe

ML cable ladders with (flanges outward) allows complete access within the cable loading area and eliminates the possibility of cable insulating damage from sharp edges.

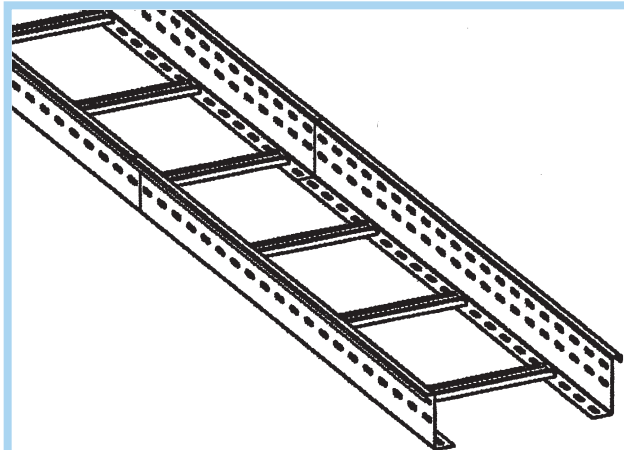
Easy Design

The ML system adapts for customizing according to the capacity loads and distance of cable ladder support span.

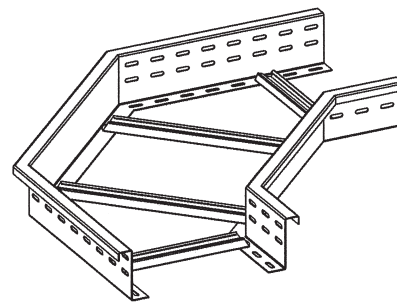
- 2 versions**
 - folding - riveted, collapsible rungs
 - non-folding - riveted, fixed rungs
- 2 side rail height**
 - heights 70 mm
 - 96 mm
- 2 rungs**
 - dimensions 29x13 mm
 - 32x18 mm
- 2 rung spacing**
 - pitch 250 mm
 - 300 mm
- 2 surface treatments** Z 275 (Continuous hot-dip galvanization, pre-galvanized)
GAC (Hot-dip galvanization after manufacturing)

ML Range:

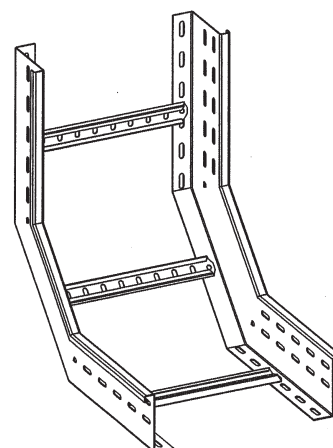
- Cable ladder system H 70 type B70-SD NP (standard)
- Cable ladder system H 70 type B70-SR NP (reinforced)
- Cable ladder system H 100 folding type B96-SD P (standard)
- Cable ladder system H 100 type B96-SD NP (standard)
- Cable ladder system H 100 type B96-SF NP (heavy duty)



ML Range cable ladders



90° horizontal elbow



Internal 90° vertical elbow

ML RANGE

Selection guide

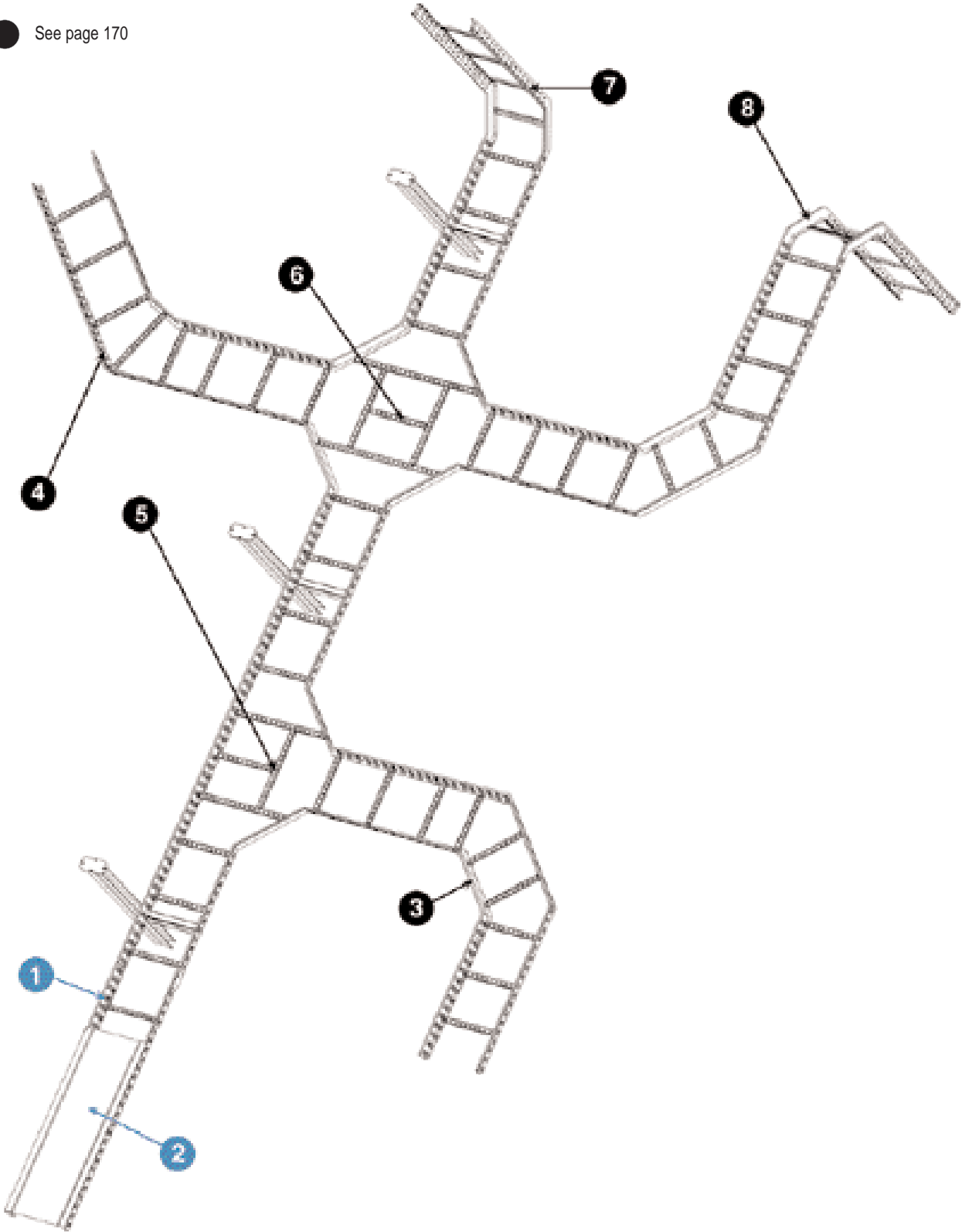
| ML Range galvanized steel cable ladder systems | | | | | | | | | | | | | |
|--|-------------------|----------------------------|-------------------|--------------------|-----------|-------------------------|-----------|---|-----------|---|-----------|-----------|-----------|
| LENGTH 3 METRES | CABLE LADDER | COVER | | | | STRAIGHT COUPLER | | HORIZONTAL COUPLING WITH VARIABLE ANGLE FROM 0 TO 90° | | VERTICAL COUPLING WITH VARIABLE ANGLE FROM 0 TO 90° | | | |
| | | RIGID COUPLER SPLICE PLATE | | ADJUSTABLE COUPLER | | VERTICAL HINGED COUPLER | | | | | | | |
| DIMENSIONS W x H (mm) | Z 275 | | GAC | | Z 275 | GAC | Z 275 | GAC | Z 275 | GAC | Z 275 | GAC | |
| | 3 RUNGS PER METRE | 4 RUNGS PER METRE | 3 RUNGS PER METRE | 4 RUNGS PER METRE | | | | | | | | | |
| B70-SD NP H.70 THICKNESS 1.2 mm | 100 x 70 | MV 38 100 | MV 38 110 | MV 38 200 | MV 38 210 | MV 30 180 | MV 30 280 | MV 31 120 | MV 31 220 | MV 31 130 | MV 31 230 | MV 31 140 | MV 31 240 |
| | 200 x 70 | MV 38 101 | MV 38 111 | MV 38 201 | MV 38 211 | MV 30 181 | MV 30 281 | | | | | | |
| | 300 x 70 | MV 38 102 | MV 38 112 | MV 38 202 | MV 38 212 | MV 30 182 | MV 30 282 | | | | | | |
| | 400 x 70 | MV 38 103 | MV 38 113 | MV 38 203 | MV 38 213 | MV 30 183 | MV 30 283 | | | | | | |
| | 500 x 70 | MV 38 104 | MV 38 114 | MV 38 204 | MV 38 214 | MV 30 184 | MV 30 284 | | | | | | |
| | 600 x 70 | MV 38 105 | MV 38 115 | MV 38 205 | MV 38 215 | MV 30 185 | MV 30 285 | | | | | | |
| B70-SR NP H.70 THICKNESS 1.5 mm | 100 x 70 | MV 38 120 | MV 38 130 | MV 38 220 | MV 38 230 | MV 30 180 | MV 30 280 | MV 31 121 | MV 31 221 | MV 31 131 | MV 31 231 | MV 31 141 | MV 31 241 |
| | 200 x 70 | MV 38 121 | MV 38 131 | MV 38 221 | MV 38 231 | MV 30 181 | MV 30 281 | | | | | | |
| | 300 x 70 | MV 38 122 | MV 38 132 | MV 38 222 | MV 38 232 | MV 30 182 | MV 30 282 | | | | | | |
| | 400 x 70 | MV 38 123 | MV 38 133 | MV 38 223 | MV 38 233 | MV 30 183 | MV 30 283 | | | | | | |
| | 500 x 70 | MV 38 124 | MV 38 134 | MV 38 224 | MV 38 234 | MV 30 184 | MV 30 284 | | | | | | |
| | 600 x 70 | MV 38 125 | MV 38 135 | MV 38 225 | MV 38 235 | MV 30 185 | MV 30 285 | | | | | | |
| B96-SD P H.100 FOLDING THICKNESS 1.5 mm | 100 x 100 | MV 30 140 | MV 30 150 | MV 30 240 | MV 30 250 | MV 30 180 | MV 30 280 | MV 31 121 | MV 31 221 | MV 31 131 | MV 31 231 | MV 31 141 | MV 31 241 |
| | 200 x 100 | MV 30 141 | MV 30 151 | MV 30 241 | MV 30 251 | MV 30 181 | MV 30 281 | | | | | | |
| | 300 x 100 | MV 30 142 | MV 30 152 | MV 30 242 | MV 30 252 | MV 30 182 | MV 30 282 | | | | | | |
| | 400 x 100 | MV 30 143 | MV 30 153 | MV 30 243 | MV 30 253 | MV 30 183 | MV 30 283 | | | | | | |
| | 500 x 100 | MV 30 144 | MV 30 154 | MV 30 244 | MV 30 254 | MV 30 184 | MV 30 284 | | | | | | |
| | 600 x 100 | MV 30 145 | MV 30 155 | MV 30 245 | MV 30 255 | MV 30 185 | MV 30 285 | | | | | | |
| B96-SD NP H.100 THICKNESS 1.5 mm | 100 x 100 | MV 38 140 | MV 38 150 | MV 38 240 | MV 38 250 | MV 30 180 | MV 30 280 | MV 31 121 | MV 31 221 | MV 31 131 | MV 31 231 | MV 31 141 | MV 31 241 |
| | 200 x 100 | MV 38 141 | MV 38 151 | MV 38 241 | MV 38 251 | MV 30 181 | MV 30 281 | | | | | | |
| | 300 x 100 | MV 38 142 | MV 38 152 | MV 38 242 | MV 38 252 | MV 30 182 | MV 30 282 | | | | | | |
| | 400 x 100 | MV 38 143 | MV 38 153 | MV 38 243 | MV 38 253 | MV 30 183 | MV 30 283 | | | | | | |
| | 500 x 100 | MV 38 144 | MV 38 154 | MV 38 244 | MV 38 254 | MV 30 184 | MV 30 284 | | | | | | |
| | 600 x 100 | MV 38 145 | MV 38 155 | MV 38 245 | MV 38 255 | MV 30 185 | MV 30 285 | | | | | | |
| B96-SF NP H.100 THICKNESS 1.5 mm | 500 x 100 | MV 38 164 | MV 38 174 | MV 38 264 | MV 38 274 | MV 30 194 | MV 30 294 | MV 31 121 | MV 31 221 | MV 31 131 | MV 31 231 | MV 31 141 | MV 31 241 |
| | 600 x 100 | MV 38 165 | MV 38 175 | MV 38 265 | MV 38 275 | MV 30 195 | MV 30 295 | | | | | | |
| | 700 x 100 | MV 38 166 | MV 38 176 | MV 38 266 | MV 38 276 | MV 30 196 | MV 30 296 | | | | | | |
| | 800 x 100 | MV 38 167 | MV 38 177 | MV 38 267 | MV 38 277 | MV 30 197 | MV 30 297 | | | | | | |
| | 900 x 100 | MV 38 168 | MV 38 178 | MV 38 268 | MV 38 278 | MV 30 198 | MV 30 298 | | | | | | |
| 1000 x 100 | MV 38 169 | MV 38 179 | MV 38 269 | MV 38 279 | MV 30 199 | MV 30 299 | | | | | | | |

For the dividers: please see Commercial pages and technical sheets.

ML Range galvanized steel cable ladder systems

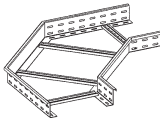
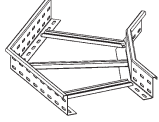
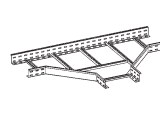
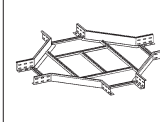
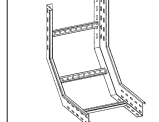
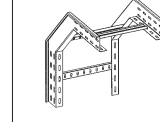
● See page 168


● See page 170



ML RANGE

Selection guide

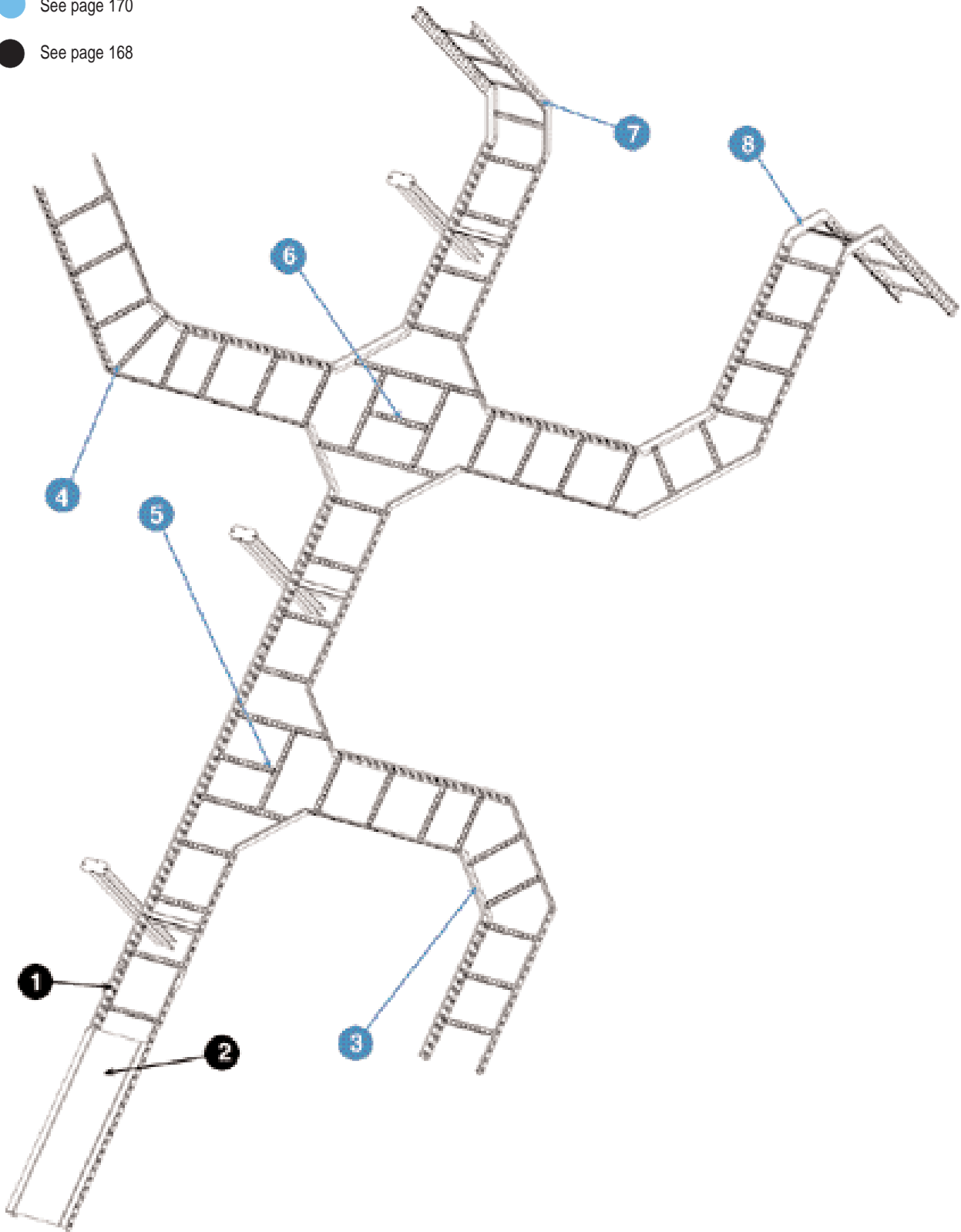
| ML Range galvanized steel cable ladder systems | | | | | | | | | | | | | |
|---|-----------------------------|---|-----------|--|-----------|---|-----------|--|-----------|--|-----------|---|-----------|
| | DIMENSIONS W x H (mm) | HORIZONTAL FITTINGS | | | | | | | | VERTICAL FITTINGS | | | |
| | | 3 HORIZONTAL 90° ELBOW  | | 4 HORIZONTAL 135° ELBOW  | | 5 HORIZONTAL TEE  | | 6 HORIZONTAL CROSS  | | 7 INSIDE VERTICAL ELBOW  | | 8 OUTSIDE VERTICAL ELBOW  | |
| | | Z 275 | GAC | Z 275 | GAC | Z 275 | GAC | Z 275 | GAC | Z 275 | GAC | Z 275 | GAC |
| B70-SD NP H.70 THICKNESS 1.2 mm | 100 x 70 | MV 32 100 | MV 32 200 | MV 33 100 | MV 33 200 | MV 36 100 | MV 36 200 | MV 37 100 | MV 37 200 | MV 34 100 | MV 34 200 | MV 35 100 | MV 35 200 |
| | 200 x 70 | MV 32 101 | MV 32 201 | MV 33 101 | MV 33 201 | MV 36 101 | MV 36 201 | MV 37 101 | MV 37 201 | MV 34 101 | MV 34 201 | MV 35 101 | MV 35 201 |
| | 300 x 70 | MV 32 102 | MV 32 202 | MV 33 102 | MV 33 202 | MV 36 102 | MV 36 202 | MV 37 102 | MV 37 202 | MV 34 102 | MV 34 202 | MV 35 102 | MV 35 202 |
| | 400 x 70 | MV 32 103 | MV 32 203 | MV 33 103 | MV 33 203 | MV 36 103 | MV 36 203 | MV 37 103 | MV 37 203 | MV 34 103 | MV 34 203 | MV 35 103 | MV 35 203 |
| | 500 x 70 | MV 32 104 | MV 32 204 | MV 33 104 | MV 33 204 | MV 36 104 | MV 36 204 | MV 37 104 | MV 37 204 | MV 34 104 | MV 34 204 | MV 35 104 | MV 35 204 |
| | 600 x 70 | MV 32 105 | MV 32 205 | MV 33 105 | MV 33 205 | MV 36 105 | MV 36 205 | MV 37 105 | MV 37 205 | MV 34 105 | MV 34 205 | MV 35 105 | MV 35 205 |
| B70-SR NP H.70 THICKNESS 1.5 mm | 100 x 70 | MV 32 120 | MV 32 220 | MV 33 120 | MV 33 220 | MV 36 120 | MV 36 220 | MV 37 120 | MV 37 220 | MV 34 120 | MV 34 220 | MV 35 120 | MV 35 220 |
| | 200 x 70 | MV 32 121 | MV 32 221 | MV 33 121 | MV 33 221 | MV 36 121 | MV 36 221 | MV 37 121 | MV 37 221 | MV 34 121 | MV 34 221 | MV 35 121 | MV 35 221 |
| | 300 x 70 | MV 32 122 | MV 32 222 | MV 33 122 | MV 33 222 | MV 36 122 | MV 36 222 | MV 37 122 | MV 37 222 | MV 34 122 | MV 34 222 | MV 35 122 | MV 35 222 |
| | 400 x 70 | MV 32 123 | MV 32 223 | MV 33 123 | MV 33 223 | MV 36 123 | MV 36 223 | MV 37 123 | MV 37 223 | MV 34 123 | MV 34 223 | MV 35 123 | MV 35 223 |
| | 500 x 70 | MV 32 124 | MV 32 224 | MV 33 124 | MV 33 224 | MV 36 124 | MV 36 224 | MV 37 124 | MV 37 224 | MV 34 124 | MV 34 224 | MV 35 124 | MV 35 224 |
| | 600 x 70 | MV 32 125 | MV 32 225 | MV 33 125 | MV 33 225 | MV 36 125 | MV 36 225 | MV 37 125 | MV 37 225 | MV 34 125 | MV 34 225 | MV 35 125 | MV 35 225 |
| B96-SD P H. 100 FOLDING THICKNESS 1.5 mm | 100 x 100 | MV 32 140 | MV 32 240 | MV 33 140 | MV 33 240 | MV 36 140 | MV 36 240 | MV 37 140 | MV 37 240 | MV 34 140 | MV 34 240 | MV 35 140 | MV 35 240 |
| | 200 x 100 | MV 32 141 | MV 32 241 | MV 33 141 | MV 33 241 | MV 36 141 | MV 36 241 | MV 37 141 | MV 37 241 | MV 34 141 | MV 34 241 | MV 35 141 | MV 35 241 |
| | 300 x 100 | MV 32 142 | MV 32 242 | MV 33 142 | MV 33 242 | MV 36 142 | MV 36 242 | MV 37 142 | MV 37 242 | MV 34 142 | MV 34 242 | MV 35 142 | MV 35 242 |
| | 400 x 100 | MV 32 143 | MV 32 243 | MV 33 143 | MV 33 243 | MV 36 143 | MV 36 243 | MV 37 143 | MV 37 243 | MV 34 143 | MV 34 243 | MV 35 143 | MV 35 243 |
| | 500 x 100 | MV 32 144 | MV 32 244 | MV 33 144 | MV 33 244 | MV 36 144 | MV 36 244 | MV 37 144 | MV 37 244 | MV 34 144 | MV 34 244 | MV 35 144 | MV 35 244 |
| | 600 x 100 | MV 32 145 | MV 32 245 | MV 33 145 | MV 33 245 | MV 36 145 | MV 36 245 | MV 37 145 | MV 37 245 | MV 34 145 | MV 34 245 | MV 35 145 | MV 35 245 |
| B96-SD NP H. 100 THICKNESS 1.5 mm | 100 x 100 | MV 32 140 | MV 32 240 | MV 33 140 | MV 33 240 | MV 36 140 | MV 36 240 | MV 37 140 | MV 37 240 | MV 34 140 | MV 34 240 | MV 35 140 | MV 35 240 |
| | 200 x 100 | MV 32 141 | MV 32 241 | MV 33 141 | MV 33 241 | MV 36 141 | MV 36 241 | MV 37 141 | MV 37 241 | MV 34 141 | MV 34 241 | MV 35 141 | MV 35 241 |
| | 300 x 100 | MV 32 142 | MV 32 242 | MV 33 142 | MV 33 242 | MV 36 142 | MV 36 242 | MV 37 142 | MV 37 242 | MV 34 142 | MV 34 242 | MV 35 142 | MV 35 242 |
| | 400 x 100 | MV 32 143 | MV 32 243 | MV 33 143 | MV 33 243 | MV 36 143 | MV 36 243 | MV 37 143 | MV 37 243 | MV 34 143 | MV 34 243 | MV 35 143 | MV 35 243 |
| | 500 x 100 | MV 32 144 | MV 32 244 | MV 33 144 | MV 33 244 | MV 36 144 | MV 36 244 | MV 37 144 | MV 37 244 | MV 34 144 | MV 34 244 | MV 35 144 | MV 35 244 |
| | 600 x 100 | MV 32 145 | MV 32 245 | MV 33 145 | MV 33 245 | MV 36 145 | MV 36 245 | MV 37 145 | MV 37 245 | MV 34 145 | MV 34 245 | MV 35 145 | MV 35 245 |
| B96-SF NP H. 100 THICKNESS 1.5 mm | 500 x 100 | MV 32 164 | MV 32 264 | MV 33 164 | MV 33 264 | MV 36 164 | MV 36 264 | MV 37 164 | MV 37 264 | MV 34 164 | MV 34 264 | MV 35 164 | MV 35 264 |
| | 600 x 100 | MV 32 165 | MV 32 265 | MV 33 165 | MV 33 265 | MV 36 165 | MV 36 265 | MV 37 165 | MV 37 265 | MV 34 165 | MV 34 265 | MV 35 165 | MV 35 265 |
| | 700 x 100 | MV 32 166 | MV 32 266 | MV 33 166 | MV 33 266 | MV 36 166 | MV 36 266 | MV 37 166 | MV 37 266 | MV 34 166 | MV 34 266 | MV 35 166 | MV 35 266 |
| | 800 x 100 | MV 32 167 | MV 32 267 | MV 33 167 | MV 33 267 | MV 36 167 | MV 36 267 | MV 37 167 | MV 37 267 | MV 34 167 | MV 34 267 | MV 35 167 | MV 35 267 |
| | 900 x 100 | MV 32 168 | MV 32 268 | MV 33 168 | MV 33 268 | MV 36 168 | MV 36 268 | MV 37 168 | MV 37 268 | MV 34 168 | MV 34 268 | MV 35 168 | MV 35 268 |
| | 1000 X 100 | MV 32 169 | MV 32 269 | MV 33 169 | MV 33 269 | MV 36 169 | MV 36 269 | MV 37 169 | MV 37 269 | MV 34 169 | MV 34 269 | MV 35 169 | MV 35 269 |

| Bolts | | | | |
|---|-------|-------------------|-----------|-------------------------|
| | TYPE | SURFACE TREATMENT | CODE | FOR COUPLING |
| BOLTS AND SCREWS  | M6x10 | EZ | MV 66 100 | n° 6 PIECES PER COUPLER |
| | | DACROMET | MV 66 200 | |
| | M6x14 | EZ | MV 66 101 | |
| | | DACROMET | MV 66 201 | |

ML Range galvanized steel cable ladder systems

● See page 170

● See page 168



ML RANGE

Galvanized steel cable ladder systems

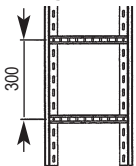
TECHNICAL CHARACTERISTICS - ML

- **STANDARDS** Z 275: Continuous Hot-Dip galvanized (pre-galvanized) NF A 36-321/ NF A 36-322
GAC: Hot-Dip galvanized after manufacturing: NF A 91-121/ NF A 91-122
- **TRADE NAME:** ML
- **MARKING:** CE
- **COLORS:** Silver
- **MATERIAL:** Steel
- **LENGTH:** Standard cable ladders length: 3 metres - Standard cover length: 2 metres
- **TABLE OF LOADS:** See technical pages

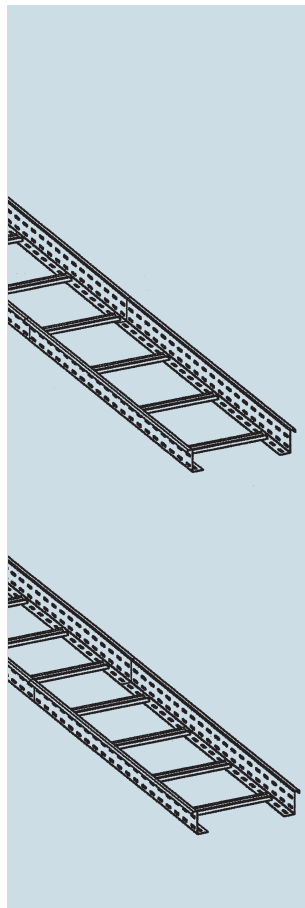
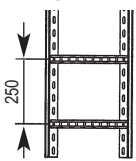
B70-SD NP galvanized steel cable ladders

B 70 SD NP
Thickness 1.2 mm
SD Standard
NP Non-folding

3 rungs per metre



4 rungs per metre



ML Range

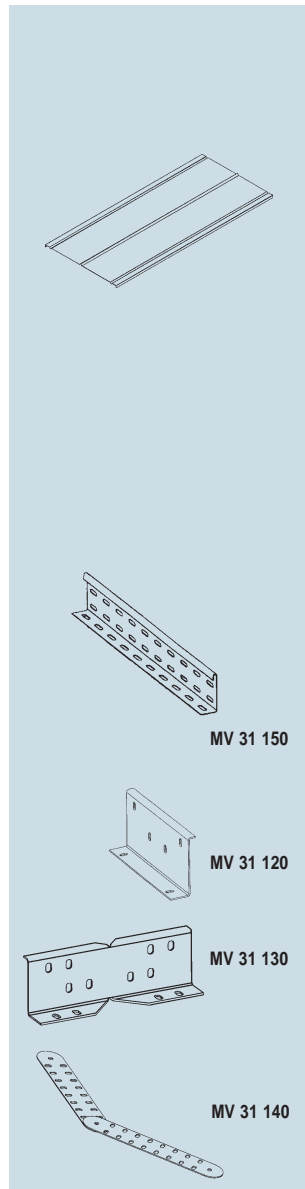
Galvanized steel cable ladders type B70-SD NP
 Non-folding, thickness 1.2 mm
 Length from 100 to 600 - 3 or 4 rungs per metre

| Code | Description | Width mm | | Carton metres |
|-----------|---------------------------|----------|-------|---------------|
| MV 38 100 | B70-SD NP 3 rungs - 70 mm | 100 | Z 275 | 30 |
| MV 38 101 | B70-SD NP 3 rungs - 70 mm | 200 | | 30 |
| MV 38 102 | B70-SD NP 3 rungs - 70 mm | 300 | | 30 |
| MV 38 103 | B70-SD NP 3 rungs - 70 mm | 400 | | 30 |
| MV 38 104 | B70-SD NP 3 rungs - 70 mm | 500 | | 30 |
| MV 38 105 | B70-SD NP 3 rungs - 70 mm | 600 | | 30 |
| MV 38 200 | B70-SD NP 3 rungs - 70 mm | 100 | GAC | 30 |
| MV 38 201 | B70-SD NP 3 rungs - 70 mm | 200 | | 30 |
| MV 38 202 | B70-SD NP 3 rungs - 70 mm | 300 | | 30 |
| MV 38 203 | B70-SD NP 3 rungs - 70 mm | 400 | | 30 |
| MV 38 204 | B70-SD NP 3 rungs - 70 mm | 500 | | 30 |
| MV 38 205 | B70-SD NP 3 rungs - 70 mm | 600 | | 30 |
| MV 38 110 | B70-SD NP 4 rungs - 70 mm | 100 | Z 275 | 30 |
| MV 38 111 | B70-SD NP 4 rungs - 70 mm | 200 | | 30 |
| MV 38 112 | B70-SD NP 4 rungs - 70 mm | 300 | | 30 |
| MV 38 113 | B70-SD NP 4 rungs - 70 mm | 400 | | 30 |
| MV 38 114 | B70-SD NP 4 rungs - 70 mm | 500 | | 30 |
| MV 38 115 | B70-SD NP 4 rungs - 70 mm | 600 | | 30 |
| MV 38 210 | B70-SD NP 4 rungs - 70 mm | 100 | GAC | 30 |
| MV 38 211 | B70-SD NP 4 rungs - 70 mm | 200 | | 30 |
| MV 38 212 | B70-SD NP 4 rungs - 70 mm | 300 | | 30 |
| MV 38 213 | B70-SD NP 4 rungs - 70 mm | 400 | | 30 |
| MV 38 214 | B70-SD NP 4 rungs - 70 mm | 500 | | 30 |
| MV 38 215 | B70-SD NP 4 rungs - 70 mm | 600 | | 30 |

Selection guide: page 168

Technical sheets: page 317

B70-SD NP galvanized steel cable ladders



ML Range

B70-SD/SR Cover for cable ladders - length 2 metres

| Code | Description | Width mm | | Carton metres |
|-----------|-------------------------------|----------|-------|---------------|
| MV 30 180 | Cover for cable ladders SD/SR | 100 | Z 275 | 20 |
| MV 30 181 | Cover for cable ladders SD/SR | 200 | | 20 |
| MV 30 182 | Cover for cable ladders SD/SR | 300 | | 20 |
| MV 30 183 | Cover for cable ladders SD/SR | 400 | | 20 |
| MV 30 184 | Cover for cable ladders SD/SR | 500 | | 20 |
| MV 30 185 | Cover for cable ladders SD/SR | 600 | | 20 |
| MV 30 280 | Cover for cable ladders SD/SR | 100 | GAC | 20 |
| MV 30 281 | Cover for cable ladders SD/SR | 200 | | 20 |
| MV 30 282 | Cover for cable ladders SD/SR | 300 | | 20 |
| MV 30 283 | Cover for cable ladders SD/SR | 400 | | 20 |
| MV 30 284 | Cover for cable ladders SD/SR | 500 | | 20 |
| MV 30 285 | Cover for cable ladders SD/SR | 600 | | 20 |

ML Range

Divider for B70-SD/SR cable ladders - length 3 metres

| Code | Description | Width mm | | Carton metres |
|-----------|------------------|----------|-------|---------------|
| MV 31 150 | Divider H. 70 mm | 3000 | Z 275 | 30 |
| MV 31 151 | Divider H. 96 mm | 3000 | | 30 |
| MV 31 250 | Divider H. 70 mm | 3000 | GAC | 30 |
| MV 31 251 | Divider H. 96 mm | 3000 | | 30 |

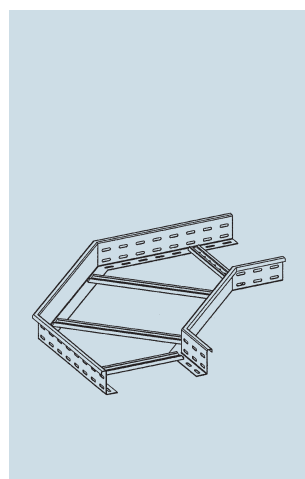
Note: Divider can be used on sizes from B70 width 200.

ML Range

B70-SD/SR coupler

| Code | Description | | Carton Qty. |
|-----------|--|-------|-------------|
| MV 31 120 | B70-SD/SR rigid coupler (splice plate) | Z 275 | 100 |
| MV 31 130 | B70-SD/SR adjustable coupler | | 100 |
| MV 31 140 | B70-SD/SR vertical hinged coupler | | 100 |
| MV 31 220 | B70-SD/SR rigid coupler (splice plate) | GAC | 100 |
| MV 31 230 | B70-SD/SR adjustable coupler | | 100 |
| MV 31 240 | B70-SD/SR vertical hinged coupler | | 100 |

B70-SD NP horizontal fittings



ML Range

Horizontal 90° elbow for cable ladders

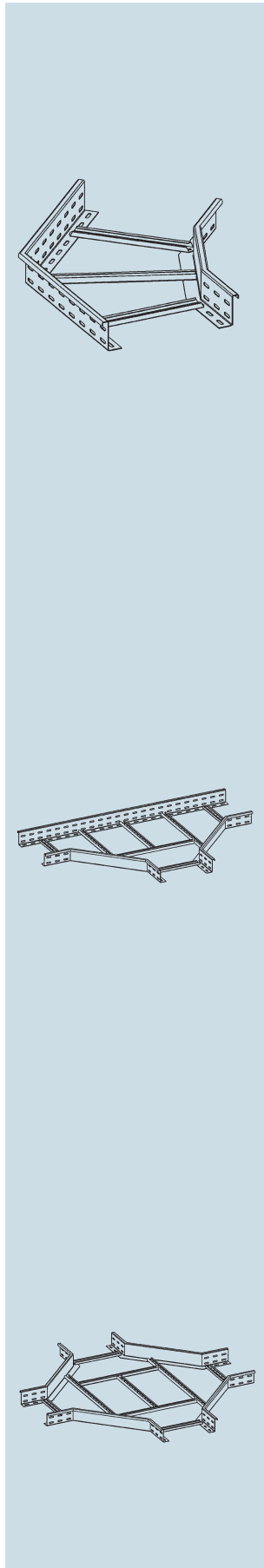
| Code | Description | Width mm | | Carton metres |
|-----------|------------------|----------|-------|---------------|
| MV 32 100 | B70-SD 90° elbow | 100 | Z 275 | 10 |
| MV 32 101 | B70-SD 90° elbow | 200 | | 10 |
| MV 32 102 | B70-SD 90° elbow | 300 | | 10 |
| MV 32 103 | B70-SD 90° elbow | 400 | | 10 |
| MV 32 104 | B70-SD 90° elbow | 500 | | 10 |
| MV 32 105 | B70-SD 90° elbow | 600 | | 10 |
| MV 32 200 | B70-SD 90° elbow | 100 | GAC | 10 |
| MV 32 201 | B70-SD 90° elbow | 200 | | 10 |
| MV 32 202 | B70-SD 90° elbow | 300 | | 10 |
| MV 32 203 | B70-SD 90° elbow | 400 | | 10 |
| MV 32 204 | B70-SD 90° elbow | 500 | | 10 |
| MV 32 205 | B70-SD 90° elbow | 600 | | 10 |

Selection guide: page 170

Technical sheets: page 318

ML RANGE

B70-SD NP horizontal fittings



ML Range

Horizontal 135° elbow for cable ladders

| Code | Description | Width mm | | Carton Qty. |
|-----------|-------------------|----------|-------|-------------|
| MV 33 100 | B70-SD 135° elbow | 100 | Z 275 | 10 |
| MV 33 101 | B70-SD 135° elbow | 200 | | 10 |
| MV 33 102 | B70-SD 135° elbow | 300 | | 10 |
| MV 33 103 | B70-SD 135° elbow | 400 | | 10 |
| MV 33 104 | B70-SD 135° elbow | 500 | | 10 |
| MV 33 105 | B70-SD 135° elbow | 600 | | 10 |
| MV 33 200 | B70-SD 135° elbow | 100 | GAC | 10 |
| MV 33 201 | B70-SD 135° elbow | 200 | | 10 |
| MV 33 202 | B70-SD 135° elbow | 300 | | 10 |
| MV 33 203 | B70-SD 135° elbow | 400 | | 10 |
| MV 33 204 | B70-SD 135° elbow | 500 | | 10 |
| MV 33 205 | B70-SD 135° elbow | 600 | | 10 |

ML Range

Horizontal tee for cable ladders

| Code | Description | Width mm | | Carton Qty. |
|-----------|-------------|----------|-------|-------------|
| MV 36 100 | B70-SD tee | 100 | Z 275 | 10 |
| MV 36 101 | B70-SD tee | 200 | | 10 |
| MV 36 102 | B70-SD tee | 300 | | 10 |
| MV 36 103 | B70-SD tee | 400 | | 10 |
| MV 36 104 | B70-SD tee | 500 | | 10 |
| MV 36 105 | B70-SD tee | 600 | | 10 |
| MV 36 200 | B70-SD tee | 100 | GAC | 10 |
| MV 36 201 | B70-SD tee | 200 | | 10 |
| MV 36 202 | B70-SD tee | 300 | | 10 |
| MV 36 203 | B70-SD tee | 400 | | 10 |
| MV 36 204 | B70-SD tee | 500 | | 10 |
| MV 36 205 | B70-SD tee | 600 | | 10 |

ML Range

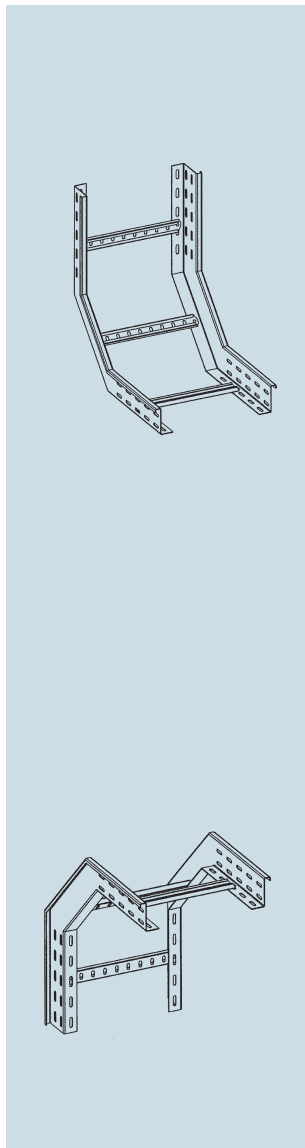
Horizontal cross for cable ladders

| Code | Description | Width mm | | Carton Qty. |
|-----------|-------------------------|----------|-------|-------------|
| MV 37 100 | B70-SD horizontal cross | 100 | Z 275 | 10 |
| MV 37 101 | B70-SD horizontal cross | 200 | | 10 |
| MV 37 102 | B70-SD horizontal cross | 300 | | 10 |
| MV 37 103 | B70-SD horizontal cross | 400 | | 10 |
| MV 37 104 | B70-SD horizontal cross | 500 | | 10 |
| MV 37 105 | B70-SD horizontal cross | 600 | | 10 |
| MV 37 200 | B70-SD horizontal cross | 100 | GAC | 10 |
| MV 37 201 | B70-SD horizontal cross | 200 | | 10 |
| MV 37 202 | B70-SD horizontal cross | 300 | | 10 |
| MV 37 203 | B70-SD horizontal cross | 400 | | 10 |
| MV 37 204 | B70-SD horizontal cross | 500 | | 10 |
| MV 37 205 | B70-SD horizontal cross | 600 | | 10 |

Selection guide: page 170

Technical sheets: page 318

B70-SD NP vertical fittings



ML Range

Inside 90° vertical elbow for cable ladders

| Code | Description | Width mm | Carton Qty. |
|------------------|------------------------------|----------|-------------|
| MV 34 100 | B70-SD inside vertical elbow | 100 | Z 275 |
| MV 34 101 | B70-SD inside vertical elbow | 200 | |
| MV 34 102 | B70-SD inside vertical elbow | 300 | |
| MV 34 103 | B70-SD inside vertical elbow | 400 | |
| MV 34 104 | B70-SD inside vertical elbow | 500 | |
| MV 34 105 | B70-SD inside vertical elbow | 600 | 10 |
| MV 34 200 | B70-SD inside vertical elbow | 100 | GAC |
| MV 34 201 | B70-SD inside vertical elbow | 200 | |
| MV 34 202 | B70-SD inside vertical elbow | 300 | |
| MV 34 203 | B70-SD inside vertical elbow | 400 | |
| MV 34 204 | B70-SD inside vertical elbow | 500 | |
| MV 34 205 | B70-SD inside vertical elbow | 600 | 10 |

ML Range

Outside 90° vertical elbow for cable ladders

| Code | Description | Width mm | Carton Qty. |
|------------------|-------------------------------|----------|-------------|
| MV 35 100 | B70-SD outside vertical elbow | 100 | Z 275 |
| MV 35 101 | B70-SD outside vertical elbow | 200 | |
| MV 35 102 | B70-SD outside vertical elbow | 300 | |
| MV 35 103 | B70-SD outside vertical elbow | 400 | |
| MV 35 104 | B70-SD outside vertical elbow | 500 | |
| MV 35 105 | B70-SD outside vertical elbow | 600 | 10 |
| MV 35 200 | B70-SD outside vertical elbow | 100 | GAC |
| MV 35 201 | B70-SD outside vertical elbow | 200 | |
| MV 35 202 | B70-SD outside vertical elbow | 300 | |
| MV 35 203 | B70-SD outside vertical elbow | 400 | |
| MV 35 204 | B70-SD outside vertical elbow | 500 | |
| MV 35 205 | B70-SD outside vertical elbow | 600 | 10 |

Selection guide: page 170

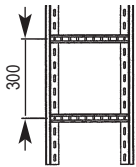
Technical sheets: page 320

ML RANGE

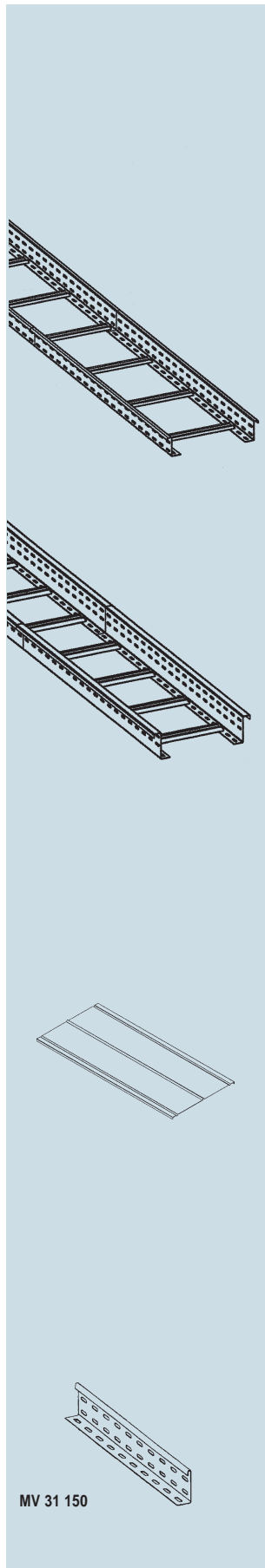
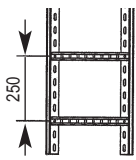
B70-SR NP Galvanized steel cable ladders

B 70 SR NP
Thickness 1.5 mm
SR Reinforced range
NP Non-folding

3 rungs per metre



4 rungs per metre



MV 31 150

ML Range

B70-SR NP Non-folding galvanized steel cable ladders
 standard thickness 1.5 mm
 Length from 100 to 600 - 3 or 4 rungs per metre

| Code | Description | Width mm | | Carton Qty. |
|-----------|---------------------------|----------|-------|-------------|
| MV 38 120 | B70-SR NP 3 rungs - 70 mm | 100 | Z 275 | 30 |
| MV 38 121 | B70-SR NP 3 rungs - 70 mm | 200 | | 30 |
| MV 38 122 | B70-SR NP 3 rungs - 70 mm | 300 | | 30 |
| MV 38 123 | B70-SR NP 3 rungs - 70 mm | 400 | | 30 |
| MV 38 124 | B70-SR NP 3 rungs - 70 mm | 500 | | 30 |
| MV 38 125 | B70-SR NP 3 rungs - 70 mm | 600 | | 30 |
| MV 38 220 | B70-SR NP 3 rungs - 70 mm | 100 | GAC | 30 |
| MV 38 221 | B70-SR NP 3 rungs - 70 mm | 200 | | 30 |
| MV 38 222 | B70-SR NP 3 rungs - 70 mm | 300 | | 30 |
| MV 38 223 | B70-SR NP 3 rungs - 70 mm | 400 | | 30 |
| MV 38 224 | B70-SR NP 3 rungs - 70 mm | 500 | | 30 |
| MV 38 225 | B70-SR NP 3 rungs - 70 mm | 600 | | 30 |
| MV 38 130 | B70-SR NP 4 rungs - 70 mm | 100 | Z 275 | 30 |
| MV 38 131 | B70-SR NP 4 rungs - 70 mm | 200 | | 30 |
| MV 38 132 | B70-SR NP 4 rungs - 70 mm | 300 | | 30 |
| MV 38 133 | B70-SR NP 4 rungs - 70 mm | 400 | | 30 |
| MV 38 134 | B70-SR NP 4 rungs - 70 mm | 500 | | 30 |
| MV 38 135 | B70-SR NP 4 rungs - 70 mm | 600 | | 30 |
| MV 38 230 | B70-SR NP 4 rungs - 70 mm | 100 | GAC | 30 |
| MV 38 231 | B70-SR NP 4 rungs - 70 mm | 200 | | 30 |
| MV 38 232 | B70-SR NP 4 rungs - 70 mm | 300 | | 30 |
| MV 38 233 | B70-SR NP 4 rungs - 70 mm | 400 | | 30 |
| MV 38 234 | B70-SR NP 4 rungs - 70 mm | 500 | | 30 |
| MV 38 235 | B70-SR NP 4 rungs - 70 mm | 600 | | 30 |

ML Range

B70-SD/SR Cover for cable ladders

| Code | Description | Width mm | | Carton Qty. |
|-----------|-------------------------------|----------|-------|-------------|
| MV 30 180 | Cover for cable ladders SD/SR | 100 | Z 275 | 20 |
| MV 30 181 | Cover for cable ladders SD/SR | 200 | | 20 |
| MV 30 182 | Cover for cable ladders SD/SR | 300 | | 20 |
| MV 30 183 | Cover for cable ladders SD/SR | 400 | | 20 |
| MV 30 184 | Cover for cable ladders SD/SR | 500 | | 20 |
| MV 30 185 | Cover for cable ladders SD/SR | 600 | | 20 |
| MV 30 280 | Cover for cable ladders SD/SR | 100 | GAC | 20 |
| MV 30 281 | Cover for cable ladders SD/SR | 200 | | 20 |
| MV 30 282 | Cover for cable ladders SD/SR | 300 | | 20 |
| MV 30 283 | Cover for cable ladders SD/SR | 400 | | 20 |
| MV 30 284 | Cover for cable ladders SD/SR | 500 | | 20 |
| MV 30 285 | Cover for cable ladders SD/SR | 600 | | 20 |

ML Range

B96-SD/SR/SF Divider for cable ladders (length 3 metres)

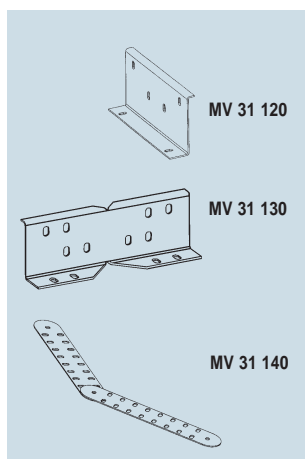
| Code | Description | Width mm | | Carton Qty. |
|-----------|------------------|----------|-------|-------------|
| MV 31 150 | Divider H. 70 mm | 3000 | Z 275 | 30 |
| MV 31 151 | Divider H. 96 mm | 3000 | | 30 |
| MV 31 250 | Divider H. 70 mm | 3000 | GAC | 30 |
| MV 31 251 | Divider H. 96 mm | 3000 | | 30 |

Note: Dividers can be used on sizes from B70 width 200

Selection guide: page 168

Technical sheets: page 317

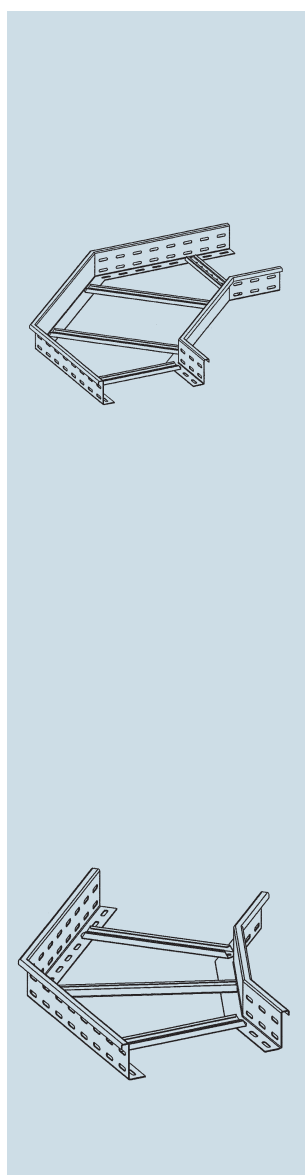
B70-SR NP Galvanized steel cable ladders



ML Range B70-SD/SR coupling

| Code | Description | | Carton Qty. |
|-----------|--|-------|-------------|
| MV 31 120 | B70-SD/SR rigid coupler (splice plate) | Z 275 | 100 |
| MV 31 130 | B70-SD/SR adjustable coupler | | 100 |
| MV 31 140 | B70-SD/SR vertical hinged coupler | | 100 |
| MV 31 220 | B70-SD/SR rigid coupler (splice plate) | GAC | 100 |
| MV 31 230 | B70-SD/SR adjustable coupler | | 100 |
| MV 31 240 | B70-SD/SR vertical hinged coupler | | 100 |

B70-SR NP horizontal fittings



ML Range Horizontal 90° elbow for cable ladders

| Code | Description | Width mm | | Carton Qty. |
|-----------|------------------|----------|-------|-------------|
| MV 32 120 | B70-SR 90° elbow | 100 | Z 275 | 10 |
| MV 32 121 | B70-SR 90° elbow | 200 | | 10 |
| MV 32 122 | B70-SR 90° elbow | 300 | | 10 |
| MV 32 123 | B70-SR 90° elbow | 400 | | 10 |
| MV 32 124 | B70-SR 90° elbow | 500 | | 10 |
| MV 32 125 | B70-SR 90° elbow | 600 | 10 | |
| MV 32 220 | B70-SR 90° elbow | 100 | GAC | 10 |
| MV 32 221 | B70-SR 90° elbow | 200 | | 10 |
| MV 32 222 | B70-SR 90° elbow | 300 | | 10 |
| MV 32 223 | B70-SR 90° elbow | 400 | | 10 |
| MV 32 224 | B70-SR 90° elbow | 500 | | 10 |
| MV 32 225 | B70-SR 90° elbow | 600 | | 10 |

ML Range Horizontal 135° elbow for cable ladders

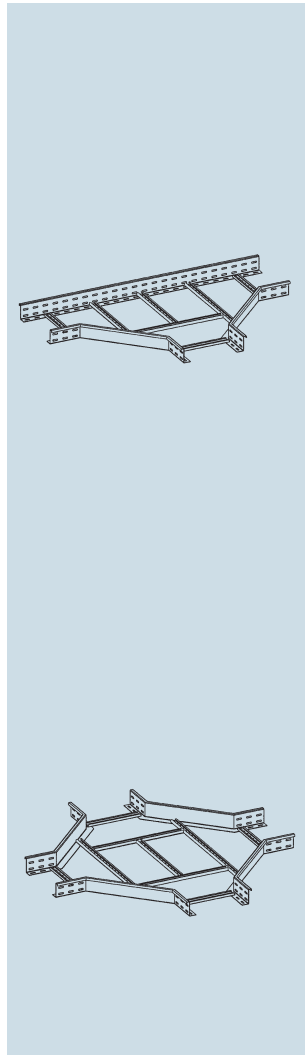
| Code | Description | Width mm | | Carton Qty. |
|-----------|-------------------|----------|-------|-------------|
| MV 33 120 | B70-SR 135° elbow | 100 | Z 275 | 10 |
| MV 33 121 | B70-SR 135° elbow | 200 | | 10 |
| MV 33 122 | B70-SR 135° elbow | 300 | | 10 |
| MV 33 123 | B70-SR 135° elbow | 400 | | 10 |
| MV 33 124 | B70-SR 135° elbow | 500 | | 10 |
| MV 33 125 | B70-SR 135° elbow | 600 | 10 | |
| MV 33 220 | B70-SR 135° elbow | 100 | GAC | 10 |
| MV 33 221 | B70-SR 135° elbow | 200 | | 10 |
| MV 33 222 | B70-SR 135° elbow | 300 | | 10 |
| MV 33 223 | B70-SR 135° elbow | 400 | | 10 |
| MV 33 224 | B70-SR 135° elbow | 500 | | 10 |
| MV 33 225 | B70-SR 135° elbow | 600 | | 10 |

Selection guide: page 170

Technical sheets: page 318

ML RANGE

B70-SR NP horizontal fittings



ML Range

Horizontal tee for cable ladders

| Code | Description | Width mm | | Carton Qty. |
|------------------|-------------|----------|-------|-------------|
| MV 36 120 | B70-SR tee | 100 | Z 275 | 10 |
| MV 36 121 | B70-SR tee | 200 | | 10 |
| MV 36 122 | B70-SR tee | 300 | | 10 |
| MV 36 123 | B70-SR tee | 400 | | 10 |
| MV 36 124 | B70-SR tee | 500 | | 10 |
| MV 36 125 | B70-SR tee | 600 | | 10 |
| MV 36 220 | B70-SR tee | 100 | GAC | 10 |
| MV 36 221 | B70-SR tee | 200 | | 10 |
| MV 36 222 | B70-SR tee | 300 | | 10 |
| MV 36 223 | B70-SR tee | 400 | | 10 |
| MV 36 224 | B70-SR tee | 500 | | 10 |
| MV 36 225 | B70-SR tee | 600 | | 10 |

ML Range

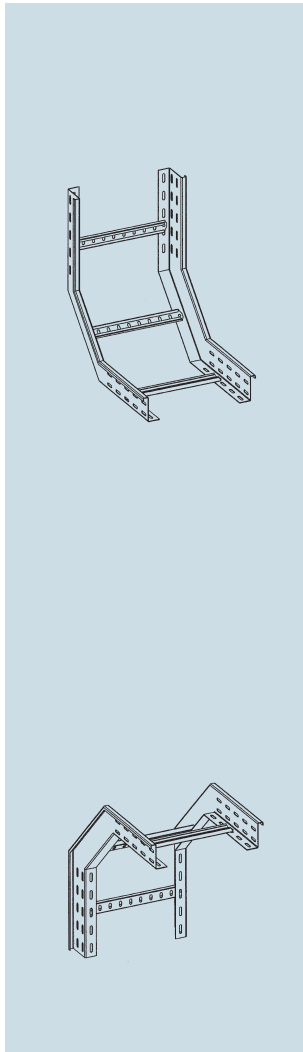
Horizontal cross for cable ladders

| Code | Description | Width mm | | Carton Qty. |
|------------------|-------------------------|----------|-------|-------------|
| MV 37 120 | B70-SR horizontal cross | 100 | Z 275 | 10 |
| MV 37 121 | B70-SR horizontal cross | 200 | | 10 |
| MV 37 122 | B70-SR horizontal cross | 300 | | 10 |
| MV 37 123 | B70-SR horizontal cross | 400 | | 10 |
| MV 37 124 | B70-SR horizontal cross | 500 | | 10 |
| MV 37 125 | B70-SR horizontal cross | 600 | | 10 |
| MV 37 220 | B70-SR horizontal cross | 100 | GAC | 10 |
| MV 37 221 | B70-SR horizontal cross | 200 | | 10 |
| MV 37 222 | B70-SR horizontal cross | 300 | | 10 |
| MV 37 223 | B70-SR horizontal cross | 400 | | 10 |
| MV 37 224 | B70-SR horizontal cross | 500 | | 10 |
| MV 37 225 | B70-SR horizontal cross | 600 | | 10 |

Selection guide: page 170

Technical sheets: page 318

B70-SR NP vertical fittings



ML Range

Inside vertical 90° elbow for cable ladders

| Code | Description | Width mm | | Carton Qty. |
|------------------|------------------------------|----------|-------|-------------|
| MV 34 120 | B70-SR inside vertical elbow | 100 | Z 275 | 10 |
| MV 34 121 | B70-SR inside vertical elbow | 200 | | 10 |
| MV 34 122 | B70-SR inside vertical elbow | 300 | | 10 |
| MV 34 123 | B70-SR inside vertical elbow | 400 | | 10 |
| MV 34 124 | B70-SR inside vertical elbow | 500 | | 10 |
| MV 34 125 | B70-SR inside vertical elbow | 600 | | 10 |
| MV 34 220 | B70-SR inside vertical elbow | 100 | GAC | 10 |
| MV 34 221 | B70-SR inside vertical elbow | 200 | | 10 |
| MV 34 222 | B70-SR inside vertical elbow | 300 | | 10 |
| MV 34 223 | B70-SR inside vertical elbow | 400 | | 10 |
| MV 34 224 | B70-SR inside vertical elbow | 500 | | 10 |
| MV 34 225 | B70-SR inside vertical elbow | 600 | | 10 |

ML Range

Outside vertical 90° elbow for cable ladders

| Code | Description | Width mm | | Carton Qty. |
|------------------|-------------------------------|----------|-------|-------------|
| MV 35 120 | B70-SR outside vertical elbow | 100 | Z 275 | 10 |
| MV 35 121 | B70-SR outside vertical elbow | 200 | | 10 |
| MV 35 122 | B70-SR outside vertical elbow | 300 | | 10 |
| MV 35 123 | B70-SR outside vertical elbow | 400 | | 10 |
| MV 35 124 | B70-SR outside vertical elbow | 500 | | 10 |
| MV 35 125 | B70-SR outside vertical elbow | 600 | | 10 |
| MV 35 220 | B70-SR outside vertical elbow | 100 | GAC | 10 |
| MV 35 221 | B70-SR outside vertical elbow | 200 | | 10 |
| MV 35 222 | B70-SR outside vertical elbow | 300 | | 10 |
| MV 35 223 | B70-SR outside vertical elbow | 400 | | 10 |
| MV 35 224 | B70-SR outside vertical elbow | 500 | | 10 |
| MV 35 225 | B70-SR outside vertical elbow | 600 | | 10 |

Selection guide: page 170

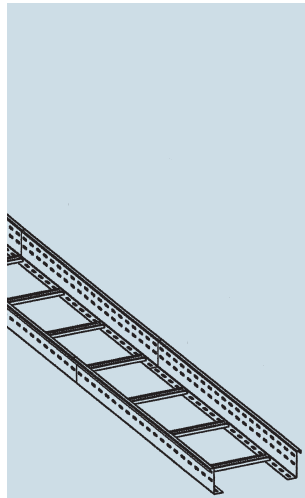
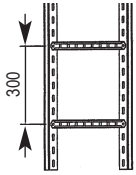
Technical sheets: page 318

ML RANGE

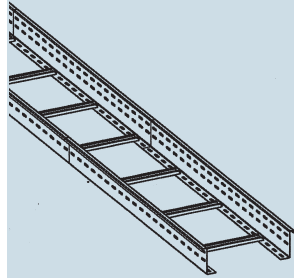
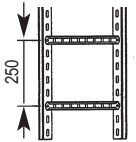
B96-SD Galvanized steel cable ladders

B96 SD P
 Thickness 1.5 mm
 SD Standard
 P Folding

3 rungs per metre

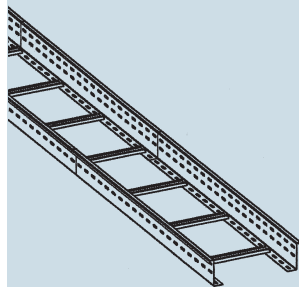
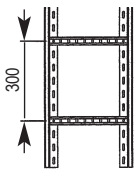


4 rungs per metre

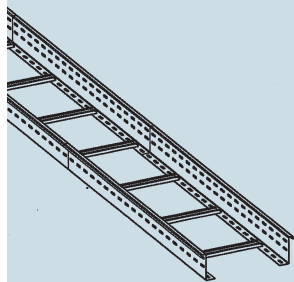
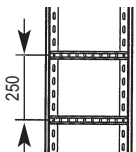


B96 SD NP
 Thickness 1.5 mm
 SD Standard
 NP Non-Folding

3 rungs per metre



4 rungs per metre



Selection guide: page 168

Technical sheets: page 317

ML Range

B96-SD P Folding galvanized steel cable ladders
 thickness 1.5 mm
 Length from 100 to 600 - 3 or 4 rungs per metre

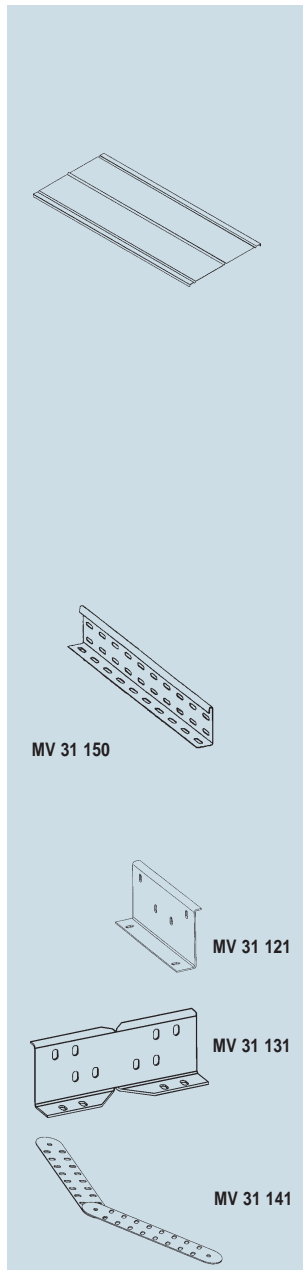
| Code | Description | Width mm | | Carton Qty. |
|-----------|-----------------------------------|----------|-------|-------------|
| MV 30 140 | B96-SD P folding 3 rungs - 100 mm | 100 | Z 275 | 30 |
| MV 30 141 | B96-SD P folding 3 rungs - 100 mm | 200 | | 30 |
| MV 30 142 | B96-SD P folding 3 rungs - 100 mm | 300 | | 30 |
| MV 30 143 | B96-SD P folding 3 rungs - 100 mm | 400 | | 30 |
| MV 30 144 | B96-SD P folding 3 rungs - 100 mm | 500 | | 30 |
| MV 30 145 | B96-SD P folding 3 rungs - 100 mm | 600 | | 30 |
| MV 30 240 | B96-SD P folding 3 rungs - 100 mm | 100 | GAC | 30 |
| MV 30 241 | B96-SD P folding 3 rungs - 100 mm | 200 | | 30 |
| MV 30 242 | B96-SD P folding 3 rungs - 100 mm | 300 | | 30 |
| MV 30 243 | B96-SD P folding 3 rungs - 100 mm | 400 | | 30 |
| MV 30 244 | B96-SD P folding 3 rungs - 100 mm | 500 | | 30 |
| MV 30 245 | B96-SD P folding 3 rungs - 100 mm | 600 | | 30 |
| MV 30 150 | B96-SD P folding 4 rungs - 100 mm | 100 | Z 275 | 30 |
| MV 30 151 | B96-SD P folding 4 rungs - 100 mm | 200 | | 30 |
| MV 30 152 | B96-SD P folding 4 rungs - 100 mm | 300 | | 30 |
| MV 30 153 | B96-SD P folding 4 rungs - 100 mm | 400 | | 30 |
| MV 30 154 | B96-SD P folding 4 rungs - 100 mm | 500 | | 30 |
| MV 30 155 | B96-SD P folding 4 rungs - 100 mm | 600 | | 30 |
| MV 30 250 | B96-SD P folding 4 rungs - 100 mm | 100 | GAC | 30 |
| MV 30 251 | B96-SD P folding 4 rungs - 100 mm | 200 | | 30 |
| MV 30 252 | B96-SD P folding 4 rungs - 100 mm | 300 | | 30 |
| MV 30 253 | B96-SD P folding 4 rungs - 100 mm | 400 | | 30 |
| MV 30 254 | B96-SD P folding 4 rungs - 100 mm | 500 | | 30 |
| MV 30 255 | B96-SD P folding 4 rungs - 100 mm | 600 | | 30 |

ML Range

B96-SD NP Non-folding galvanized steel cable ladders
 thickness 1.5 mm
 Length from 100 to 600 - 3 or 4 rungs per metre

| Code | Description | Width mm | | Carton Qty. |
|-----------|----------------------------|----------|-------|-------------|
| MV 38 140 | B96-SD NP 3 rungs - 100 mm | 100 | Z 275 | 30 |
| MV 38 141 | B96-SD NP 3 rungs - 100 mm | 200 | | 30 |
| MV 38 142 | B96-SD NP 3 rungs - 100 mm | 300 | | 30 |
| MV 38 143 | B96-SD NP 3 rungs - 100 mm | 400 | | 30 |
| MV 38 144 | B96-SD NP 3 rungs - 100 mm | 500 | | 30 |
| MV 38 145 | B96-SD NP 3 rungs - 100 mm | 600 | | 30 |
| MV 38 240 | B96-SD NP 3 rungs - 100 mm | 100 | GAC | 30 |
| MV 38 241 | B96-SD NP 3 rungs - 100 mm | 200 | | 30 |
| MV 38 242 | B96-SD NP 3 rungs - 100 mm | 300 | | 30 |
| MV 38 243 | B96-SD NP 3 rungs - 100 mm | 400 | | 30 |
| MV 38 244 | B96-SD NP 3 rungs - 100 mm | 500 | | 30 |
| MV 38 245 | B96-SD NP 3 rungs - 100 mm | 600 | | 30 |
| MV 38 150 | B96-SD NP 4 rungs - 100 mm | 100 | Z 275 | 30 |
| MV 38 151 | B96-SD NP 4 rungs - 100 mm | 200 | | 30 |
| MV 38 152 | B96-SD NP 4 rungs - 100 mm | 300 | | 30 |
| MV 38 153 | B96-SD NP 4 rungs - 100 mm | 400 | | 30 |
| MV 38 154 | B96-SD NP 4 rungs - 100 mm | 500 | | 30 |
| MV 38 155 | B96-SD NP 4 rungs - 100 mm | 600 | | 30 |
| MV 38 250 | B96-SD NP 4 rungs - 100 mm | 100 | GAC | 30 |
| MV 38 251 | B96-SD NP 4 rungs - 100 mm | 200 | | 30 |
| MV 38 252 | B96-SD NP 4 rungs - 100 mm | 300 | | 30 |
| MV 38 253 | B96-SD NP 4 rungs - 100 mm | 400 | | 30 |
| MV 38 254 | B96-SD NP 4 rungs - 100 mm | 500 | | 30 |
| MV 38 255 | B96-SD NP 4 rungs - 100 mm | 600 | | 30 |

B96-SD horizontal fittings



ML Range

Cover for cable ladders

| Code | Description | Width mm | | Carton metres |
|------------------|-------------------------------|----------|-------|---------------|
| MV 30 180 | Cover for SD/SR cable ladders | 100 | Z 275 | 20 |
| MV 30 181 | Cover for SD/SR cable ladders | 200 | | 20 |
| MV 30 182 | Cover for SD/SR cable ladders | 300 | | 20 |
| MV 30 183 | Cover for SD/SR cable ladders | 400 | | 20 |
| MV 30 184 | Cover for SD/SR cable ladders | 500 | | 20 |
| MV 30 185 | Cover for SD/SR cable ladders | 600 | | 20 |
| MV 30 280 | Cover for SD/SR cable ladders | 100 | GAC | 20 |
| MV 30 281 | Cover for SD/SR cable ladders | 200 | | 20 |
| MV 30 282 | Cover for SD/SR cable ladders | 300 | | 20 |
| MV 30 283 | Cover for SD/SR cable ladders | 400 | | 20 |
| MV 30 284 | Cover for SD/SR cable ladders | 500 | | 20 |
| MV 30 285 | Cover for SD/SR cable ladders | 600 | | 20 |

ML Range

B96-SD/SR/SF Divider for cable ladders - (length 3 metres)

| Code | Description | Length mm | | Carton metres |
|------------------|------------------|-----------|-------|---------------|
| MV 31 150 | Divider H. 70 mm | 3000 | Z 275 | 30 |
| MV 31 151 | Divider H. 96 mm | 3000 | | 30 |
| MV 31 250 | Divider H. 70 mm | 3000 | GAC | 30 |
| MV 31 251 | Divider H. 96 mm | 3000 | | 30 |

For cable ladders type B 96 SD/SF on request

ML Range

B96-SD/SF Coupling for cable ladders

| Code | Description | | Carton Qty. |
|------------------|--|-------|-------------|
| MV 31 121 | B96-SD/SF rigid coupler (splice plate) | Z 275 | 100 |
| MV 31 131 | B96-SD/SF adjustable coupler | | 100 |
| MV 31 141 | B96-SD/SF vertical hinged coupler | | 100 |
| MV 31 221 | B96-SD/SF rigid coupler (splice plate) | GAC | 100 |
| MV 31 231 | B96-SD/SF adjustable coupler | | 100 |
| MV 31 241 | B96-SD/SF vertical hinged coupler | | 100 |

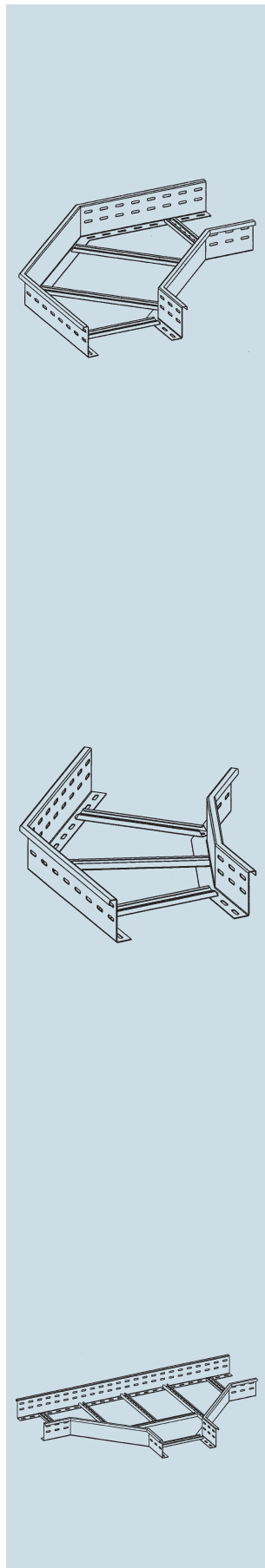
Couplings: have 2 couplers and 12 bolts M 6x14.

Selection guide: page 168

Technical sheets: page 317

ML RANGE

B96-SD horizontal fittings



ML Range

Horizontal 90° elbow for cable ladders

| Code | Description | Width mm | | Carton Qty. |
|-----------|------------------|----------|-------|-------------|
| MV 32 140 | B96-SD 90° elbow | 100 | Z 275 | 10 |
| MV 32 141 | B96-SD 90° elbow | 200 | | 10 |
| MV 32 142 | B96-SD 90° elbow | 300 | | 10 |
| MV 32 143 | B96-SD 90° elbow | 400 | | 10 |
| MV 32 144 | B96-SD 90° elbow | 500 | | 10 |
| MV 32 145 | B96-SD 90° elbow | 600 | | 10 |
| MV 32 240 | B96-SD 90° elbow | 100 | GAC | 10 |
| MV 32 241 | B96-SD 90° elbow | 200 | | 10 |
| MV 32 242 | B96-SD 90° elbow | 300 | | 10 |
| MV 32 243 | B96-SD 90° elbow | 400 | | 10 |
| MV 32 244 | B96-SD 90° elbow | 500 | | 10 |
| MV 32 245 | B96-SD 90° elbow | 600 | | 10 |

ML Range

Horizontal 135° elbow for cable ladders

| Code | Description | Width mm | | Carton Qty. |
|-----------|-------------------|----------|-------|-------------|
| MV 33 140 | B96-SD 135° elbow | 100 | Z 275 | 10 |
| MV 33 141 | B96-SD 135° elbow | 200 | | 10 |
| MV 33 142 | B96-SD 135° elbow | 300 | | 10 |
| MV 33 143 | B96-SD 135° elbow | 400 | | 10 |
| MV 33 144 | B96-SD 135° elbow | 500 | | 10 |
| MV 33 145 | B96-SD 135° elbow | 600 | | 10 |
| MV 33 240 | B96-SD 135° elbow | 100 | GAC | 10 |
| MV 33 241 | B96-SD 135° elbow | 200 | | 10 |
| MV 33 242 | B96-SD 135° elbow | 300 | | 10 |
| MV 33 243 | B96-SD 135° elbow | 400 | | 10 |
| MV 33 244 | B96-SD 135° elbow | 500 | | 10 |
| MV 33 245 | B96-SD 135° elbow | 600 | | 10 |

ML Range

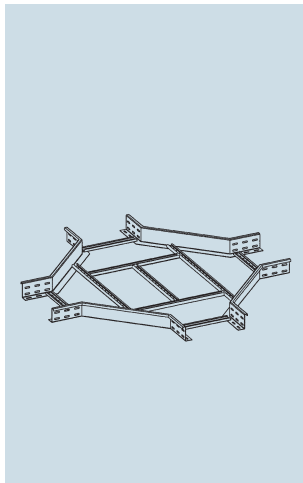
Horizontal tee for cable ladders

| Code | Description | Width mm | | Carton Qty. |
|-----------|-------------|----------|-------|-------------|
| MV 36 140 | B96-SD tee | 100 | Z 275 | 10 |
| MV 36 141 | B96-SD tee | 200 | | 10 |
| MV 36 142 | B96-SD tee | 300 | | 10 |
| MV 36 143 | B96-SD tee | 400 | | 10 |
| MV 36 144 | B96-SD tee | 500 | | 10 |
| MV 36 145 | B96-SD tee | 600 | | 10 |
| MV 36 240 | B96-SD tee | 100 | GAC | 10 |
| MV 36 241 | B96-SD tee | 200 | | 10 |
| MV 36 242 | B96-SD tee | 300 | | 10 |
| MV 36 243 | B96-SD tee | 400 | | 10 |
| MV 36 244 | B96-SD tee | 500 | | 10 |
| MV 36 245 | B96-SD tee | 600 | | 10 |

Selection guide: page 170

Technical sheets: page 321

B96-SD horizontal fittings

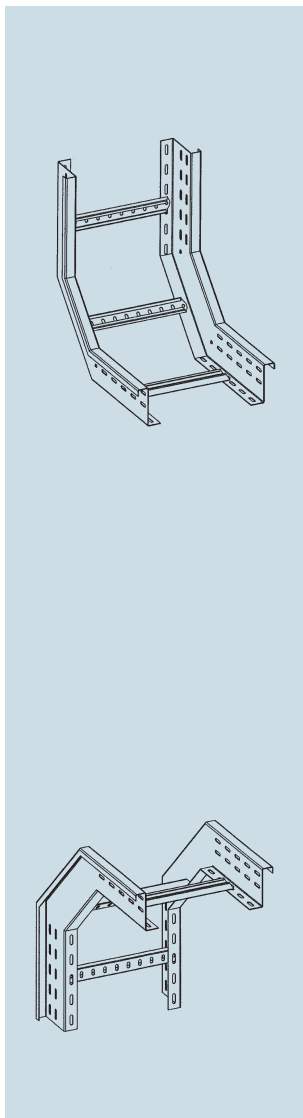


ML Range

Horizontal cross for cable ladders

| Code | Description | Width mm | | Carton Qty. |
|-----------|-------------------------|----------|-------|-------------|
| MV 37 140 | B96-SD horizontal cross | 100 | Z 275 | 10 |
| MV 37 141 | B96-SD horizontal cross | 200 | | 10 |
| MV 37 142 | B96-SD horizontal cross | 300 | | 10 |
| MV 37 143 | B96-SD horizontal cross | 400 | | 10 |
| MV 37 144 | B96-SD horizontal cross | 500 | | 10 |
| MV 37 145 | B96-SD horizontal cross | 600 | | 10 |
| MV 37 240 | B96-SD horizontal cross | 100 | GAC | 10 |
| MV 37 241 | B96-SD horizontal cross | 200 | | 10 |
| MV 37 242 | B96-SD horizontal cross | 300 | | 10 |
| MV 37 243 | B96-SD horizontal cross | 400 | | 10 |
| MV 37 244 | B96-SD horizontal cross | 500 | | 10 |
| MV 37 245 | B96-SD horizontal cross | 600 | | 10 |

B96-SD vertical fittings



ML Range

Inside vertical 90° elbow for cable ladders

| Code | Description | Width mm | | Carton Qty. |
|-----------|------------------------------|----------|-------|-------------|
| MV 34 140 | B96-SD inside vertical elbow | 100 | Z 275 | 10 |
| MV 34 141 | B96-SD inside vertical elbow | 200 | | 10 |
| MV 34 142 | B96-SD inside vertical elbow | 300 | | 10 |
| MV 34 143 | B96-SD inside vertical elbow | 400 | | 10 |
| MV 34 144 | B96-SD inside vertical elbow | 500 | | 10 |
| MV 34 145 | B96-SD inside vertical elbow | 600 | | 10 |
| MV 34 240 | B96-SD inside vertical elbow | 100 | GAC | 10 |
| MV 34 241 | B96-SD inside vertical elbow | 200 | | 10 |
| MV 34 242 | B96-SD inside vertical elbow | 300 | | 10 |
| MV 34 243 | B96-SD inside vertical elbow | 400 | | 10 |
| MV 34 244 | B96-SD inside vertical elbow | 500 | | 10 |
| MV 34 245 | B96-SD inside vertical elbow | 600 | | 10 |

ML Range

Outside vertical 90° elbow for cable ladders

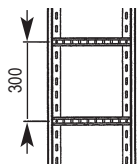
| Code | Description | Width mm | | Carton Qty. |
|-----------|-------------------------------|----------|-------|-------------|
| MV 35 140 | B96-SD outside vertical elbow | 100 | Z 275 | 10 |
| MV 35 141 | B96-SD outside vertical elbow | 200 | | 10 |
| MV 35 142 | B96-SD outside vertical elbow | 300 | | 10 |
| MV 35 143 | B96-SD outside vertical elbow | 400 | | 10 |
| MV 35 144 | B96-SD outside vertical elbow | 500 | | 10 |
| MV 35 145 | B96-SD outside vertical elbow | 600 | | 10 |
| MV 35 240 | B96-SD outside vertical elbow | 100 | GAC | 10 |
| MV 35 241 | B96-SD outside vertical elbow | 200 | | 10 |
| MV 35 242 | B96-SD outside vertical elbow | 300 | | 10 |
| MV 35 243 | B96-SD outside vertical elbow | 400 | | 10 |
| MV 35 244 | B96-SD outside vertical elbow | 500 | | 10 |
| MV 35 245 | B96-SD outside vertical elbow | 600 | | 10 |

ML RANGE

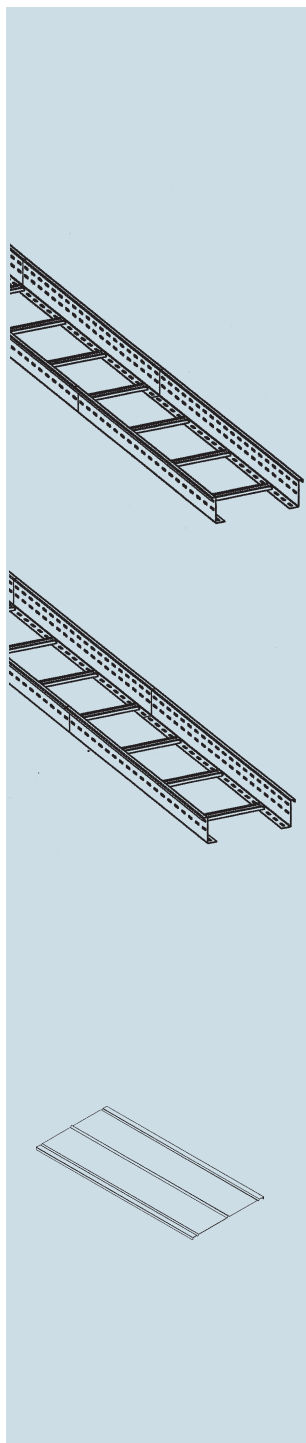
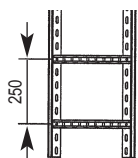
B96-SF Galvanized steel cable ladders

B96 SF
Height 100
Thickness 1.5 mm
SF Heavy duty
NP Non-Folding

3 rungs per metre



4 rungs per metre



ML Range

B96-SF NP Non-folding galvanized steel cable ladders H 100
width from 500 to 1000 - 3 or 4 rungs per metre

| Code | Description | Width mm | | Carton Qty. |
|-----------|----------------------------|----------|-------|-------------|
| MV 38 164 | B96-SF NP 3 rungs - 100 mm | 500 | Z 275 | 30 |
| MV 38 165 | B96-SF NP 3 rungs - 100 mm | 600 | | 30 |
| MV 38 166 | B96-SF NP 3 rungs - 100 mm | 700 | | 30 |
| MV 38 167 | B96-SF NP 3 rungs - 100 mm | 800 | | 30 |
| MV 38 168 | B96-SF NP 3 rungs - 100 mm | 900 | | 30 |
| MV 38 169 | B96-SF NP 3 rungs - 100 mm | 1000 | | 30 |
| MV 38 264 | B96-SF NP 3 rungs - 100 mm | 500 | GAC | 30 |
| MV 38 265 | B96-SF NP 3 rungs - 100 mm | 600 | | 30 |
| MV 38 266 | B96-SF NP 3 rungs - 100 mm | 700 | | 30 |
| MV 38 267 | B96-SF NP 3 rungs - 100 mm | 800 | | 30 |
| MV 38 268 | B96-SF NP 3 rungs - 100 mm | 900 | | 30 |
| MV 38 269 | B96-SF NP 3 rungs - 100 mm | 1000 | | 30 |
| MV 38 174 | B96-SF NP 4 rungs - 100 mm | 500 | Z 275 | 30 |
| MV 38 175 | B96-SF NP 4 rungs - 100 mm | 600 | | 30 |
| MV 38 176 | B96-SF NP 4 rungs - 100 mm | 700 | | 30 |
| MV 38 177 | B96-SF NP 4 rungs - 100 mm | 800 | | 30 |
| MV 38 178 | B96-SF NP 4 rungs - 100 mm | 900 | | 30 |
| MV 38 179 | B96-SF NP 4 rungs - 100 mm | 1000 | | 30 |
| MV 38 274 | B96-SF NP 4 rungs - 100 mm | 500 | GAC | 30 |
| MV 38 275 | B96-SF NP 4 rungs - 100 mm | 600 | | 30 |
| MV 38 276 | B96-SF NP 4 rungs - 100 mm | 700 | | 30 |
| MV 38 277 | B96-SF NP 4 rungs - 100 mm | 800 | | 30 |
| MV 38 278 | B96-SF NP 4 rungs - 100 mm | 900 | | 30 |
| MV 38 279 | B96-SF NP 4 rungs - 100 mm | 1000 | | 30 |

ML Range

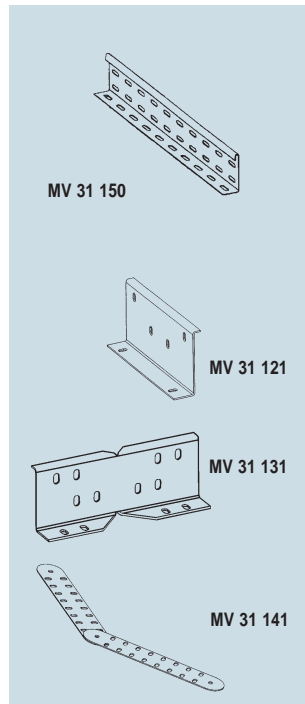
Cover for cable ladders B 96-SF - length 2 metres

| Code | Description | Width mm | | Carton Qty. |
|-----------|--------------|----------|-------|-------------|
| MV 30 194 | B96-SF Cover | 500 | Z 275 | 20 |
| MV 30 195 | B96-SF Cover | 600 | | 20 |
| MV 30 196 | B96-SF Cover | 700 | | 20 |
| MV 30 197 | B96-SF Cover | 800 | | 20 |
| MV 30 198 | B96-SF Cover | 900 | | 20 |
| MV 30 199 | B96-SF Cover | 1000 | | 20 |
| MV 30 294 | B96-SF Cover | 500 | GAC | 20 |
| MV 30 295 | B96-SF Cover | 600 | | 20 |
| MV 30 296 | B96-SF Cover | 700 | | 20 |
| MV 30 297 | B96-SF Cover | 800 | | 20 |
| MV 30 298 | B96-SF Cover | 900 | | 20 |
| MV 30 299 | B96-SF Cover | 1000 | | 20 |

Selection guide: page 170

Technical sheets: page 323

B96-SF Galvanized steel cable ladders



ML Range

B96-SD/SR/SF Divider for cable ladders
(length 3 metres)

| Code | Description | Length mm | | Carton metres |
|------------------|------------------|-----------|-----------|---------------|
| MV 31 150 | Divider H. 70 mm | 3000 | [Z 275] | 30 |
| MV 31 151 | Divider H. 96 mm | 3000 | | 30 |
| MV 31 250 | Divider H. 70 mm | 3000 | [GAC] | 30 |
| MV 31 251 | Divider H. 96 mm | 3000 | | 30 |

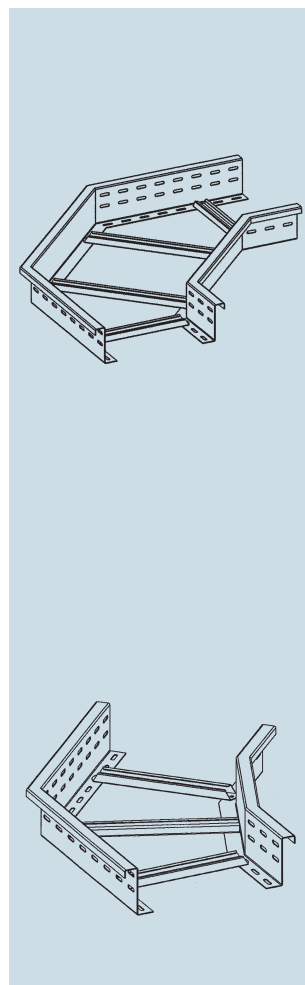
Note: Divider can be used on sizes from B70 width 200.

ML Range

B96-SD/SF coupling

| Code | Description | | Carton Qty. |
|------------------|--|-----------|-------------|
| MV 31 121 | B96-SD/SF rigid coupler (splice plate) | [Z 275] | 100 |
| MV 31 131 | B96-SD/SF adjustable coupler | | 100 |
| MV 31 141 | B96-SD/SF vertical hinged coupler | | 100 |
| MV 31 221 | B96-SD/SF rigid coupler (splice plate) | [GAC] | 100 |
| MV 31 231 | B96-SD/SF adjustable coupler | | 100 |
| MV 31 241 | B96-SD/SF vertical hinged coupler | | 100 |

B96-SF NP horizontal fittings



ML Range

Horizontal 90° elbow for cable ladders

| Code | Description | Width mm | | Carton Qty. |
|------------------|------------------|----------|-----------|-------------|
| MV 32 164 | B96-SF 90° elbow | 500 | [Z 275] | 10 |
| MV 32 165 | B96-SF 90° elbow | 600 | | 10 |
| MV 32 166 | B96-SF 90° elbow | 700 | | 10 |
| MV 32 167 | B96-SF 90° elbow | 800 | | 10 |
| MV 32 168 | B96-SF 90° elbow | 900 | | 10 |
| MV 32 169 | B96-SF 90° elbow | 1000 | | 10 |
| MV 32 264 | B96-SF 90° elbow | 500 | [GAC] | 10 |
| MV 32 265 | B96-SF 90° elbow | 600 | | 10 |
| MV 32 266 | B96-SF 90° elbow | 700 | | 10 |
| MV 32 267 | B96-SF 90° elbow | 800 | | 10 |
| MV 32 268 | B96-SF 90° elbow | 900 | | 10 |
| MV 32 269 | B96-SF 90° elbow | 1000 | | 10 |

ML Range

Horizontal 135° elbow for cable ladders

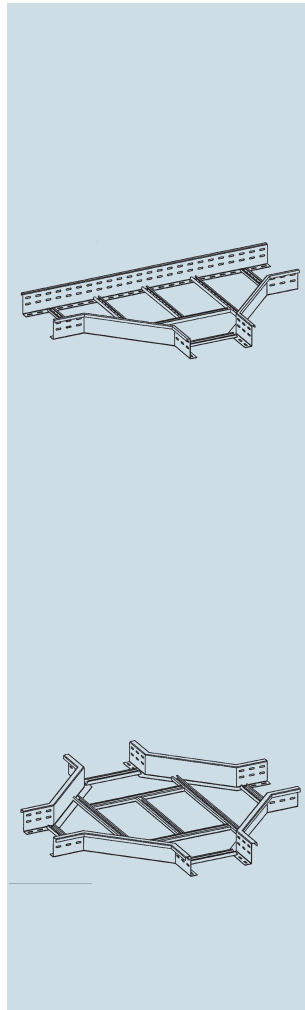
| Code | Description | Width mm | | Carton Qty. |
|------------------|-------------------|----------|-----------|-------------|
| MV 33 164 | B96-SF 135° elbow | 500 | [Z 275] | 10 |
| MV 33 165 | B96-SF 135° elbow | 600 | | 10 |
| MV 33 166 | B96-SF 135° elbow | 700 | | 10 |
| MV 33 167 | B96-SF 135° elbow | 800 | | 10 |
| MV 33 168 | B96-SF 135° elbow | 900 | | 10 |
| MV 33 169 | B96-SF 135° elbow | 1000 | | 10 |
| MV 33 264 | B96-SF 135° elbow | 500 | [GAC] | 10 |
| MV 33 265 | B96-SF 135° elbow | 600 | | 10 |
| MV 33 266 | B96-SF 135° elbow | 700 | | 10 |
| MV 33 267 | B96-SF 135° elbow | 800 | | 10 |
| MV 33 268 | B96-SF 135° elbow | 900 | | 10 |
| MV 33 269 | B96-SF 135° elbow | 1000 | | 10 |

Selection guide: page 170

Technical sheets: page 323

ML RANGE

B96-SF horizontal fittings



ML Range

Horizontal tee for cable ladders

| Code | Description | Width mm | | Carton Qty. |
|------------------|-------------|----------|-------|-------------|
| MV 36 164 | B96-SF tee | 500 | Z 275 | 10 |
| MV 36 165 | B96-SF tee | 600 | | 10 |
| MV 36 166 | B96-SF tee | 700 | | 10 |
| MV 36 167 | B96-SF tee | 800 | | 10 |
| MV 36 168 | B96-SF tee | 900 | | 10 |
| MV 36 169 | B96-SF tee | 1000 | | 10 |
| MV 36 264 | B96-SF tee | 500 | GAC | 10 |
| MV 36 265 | B96-SF tee | 600 | | 10 |
| MV 36 266 | B96-SF tee | 700 | | 10 |
| MV 36 267 | B96-SF tee | 800 | | 10 |
| MV 36 268 | B96-SF tee | 900 | | 10 |
| MV 36 269 | B96-SF tee | 1000 | | 10 |

ML Range

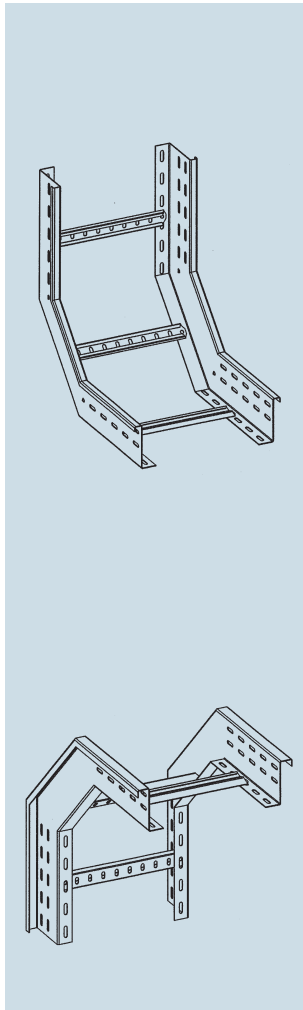
Horizontal cross for cable ladders

| Code | Description | Width mm | | Carton Qty. |
|------------------|-------------------------|----------|-------|-------------|
| MV 37 164 | B96-SF horizontal cross | 500 | Z 275 | 10 |
| MV 37 165 | B96-SF horizontal cross | 600 | | 10 |
| MV 37 166 | B96-SF horizontal cross | 700 | | 10 |
| MV 37 167 | B96-SF horizontal cross | 800 | | 10 |
| MV 37 168 | B96-SF horizontal cross | 900 | | 10 |
| MV 37 169 | B96-SF horizontal cross | 1000 | | 10 |
| MV 37 264 | B96-SF horizontal cross | 500 | GAC | 10 |
| MV 37 265 | B96-SF horizontal cross | 600 | | 10 |
| MV 37 266 | B96-SF horizontal cross | 700 | | 10 |
| MV 37 267 | B96-SF horizontal cross | 800 | | 10 |
| MV 37 268 | B96-SF horizontal cross | 900 | | 10 |
| MV 37 269 | B96-SF horizontal cross | 1000 | | 10 |

Selection guide: page 170

Technical sheets: page 324

B96-SF vertical fittings



ML Range

Inside vertical 90° elbow for cable ladders

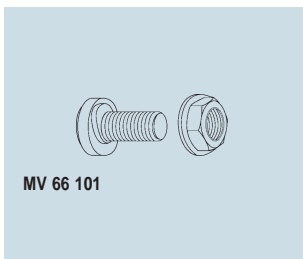
| Code | Description | Width mm | | Carton Qty. |
|------------------|------------------------------|----------|-------|-------------|
| MV 34 164 | B96-SF inside vertical elbow | 500 | Z 275 | 10 |
| MV 34 165 | B96-SF inside vertical elbow | 600 | | 10 |
| MV 34 166 | B96-SF inside vertical elbow | 700 | | 10 |
| MV 34 167 | B96-SF inside vertical elbow | 800 | | 10 |
| MV 34 168 | B96-SF inside vertical elbow | 900 | | 10 |
| MV 34 169 | B96-SF inside vertical elbow | 1000 | | 10 |
| MV 34 264 | B96-SF inside vertical elbow | 500 | GAC | 10 |
| MV 34 265 | B96-SF inside vertical elbow | 600 | | 10 |
| MV 34 266 | B96-SF inside vertical elbow | 700 | | 10 |
| MV 34 267 | B96-SF inside vertical elbow | 800 | | 10 |
| MV 34 268 | B96-SF inside vertical elbow | 900 | | 10 |
| MV 34 269 | B96-SF inside vertical elbow | 1000 | | 10 |

Serie ML

Outside vertical 90° elbow for cable ladders

| Code | Description | Width mm | | Carton Qty. |
|------------------|-------------------------------|----------|-------|-------------|
| MV 35 164 | B96-SF outside vertical elbow | 500 | Z 275 | 10 |
| MV 35 165 | B96-SF outside vertical elbow | 600 | | 10 |
| MV 35 166 | B96-SF outside vertical elbow | 700 | | 10 |
| MV 35 167 | B96-SF outside vertical elbow | 800 | | 10 |
| MV 35 168 | B96-SF outside vertical elbow | 900 | | 10 |
| MV 35 169 | B96-SF outside vertical elbow | 1000 | | 10 |
| MV 35 264 | B96-SF outside vertical elbow | 500 | GAC | 10 |
| MV 35 265 | B96-SF outside vertical elbow | 600 | | 10 |
| MV 35 266 | B96-SF outside vertical elbow | 700 | | 10 |
| MV 35 267 | B96-SF outside vertical elbow | 800 | | 10 |
| MV 35 268 | B96-SF outside vertical elbow | 900 | | 10 |
| MV 35 269 | B96-SF outside vertical elbow | 1000 | | 10 |

Bolts



ML Range

Bolts (mushroom head and flanged nut)

| Code | Description | | Pack/Carton Qty. |
|------------------|--|----------|------------------|
| MV 66 100 | Bolt M6x10 mushroom head + flanged nut | Bichro | 100/3000 |
| MV 66 101 | Bolt M6x14 mushroom head + flanged nut | | 100/3000 |
| MV 66 200 | Bolt M6x10 mushroom head + flanged nut | Dacromet | 100/3000 |
| MV 66 201 | Bolt M6x14 mushroom head + flanged nut | | 100/3000 |

100 = 1 bag of 100 bolts

Selection guide: page 170

Technical sheets: page 325